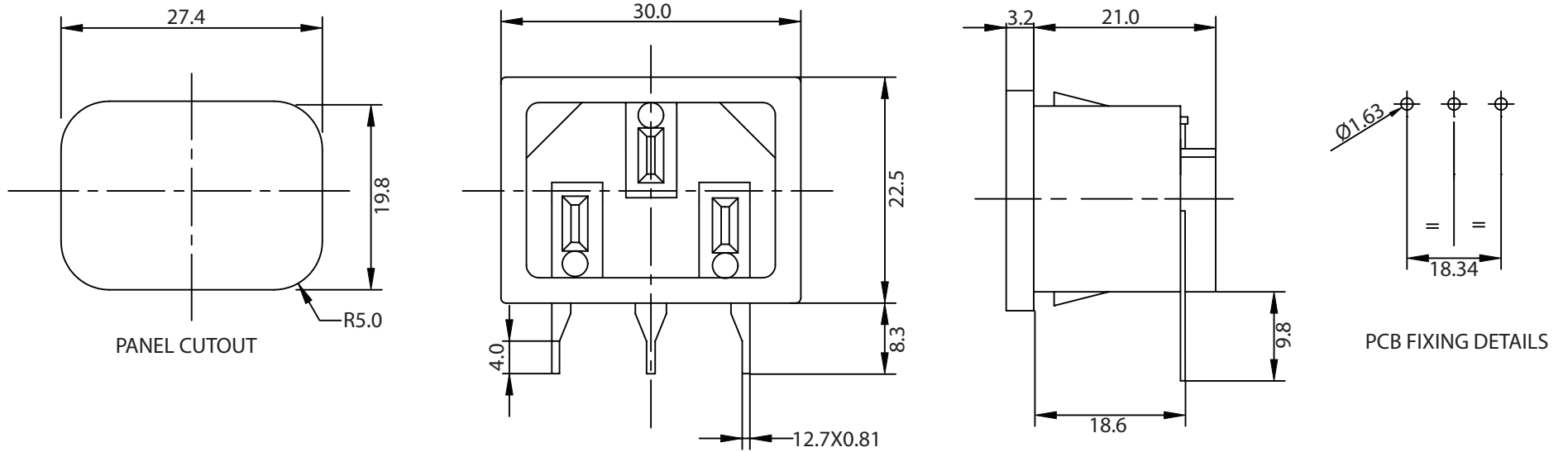


THESE DRAWINGS ARE THE PROPERTY OF QUALTEK ELECTRONICS AND NOT TO BE REPRODUCED FOR OR COMMUNICATED TO A THIRD PARTY WITHOUT THE EXPRESS WRITTEN PERMISSION OF AN OFFICER OF QUALTEK ELECTRONICS.

REVISION			
REV.	DESCRIPTION	DATE	APPROVED
B	RoHS Compliancy	06-01-06	DP



NOTES:

MATERIAL:

MOLDING: NYLON, FLAMMABILITY RATING UL 94V-0
 CONTACTS: BRASS. PINS NICKEL PLATED, TAGS TIN PLATED
 SCREW TERMINALS: NICKEL PLATED

RATING:

UL, CSA: 15A 250V
 VDE: 10A 250V AC
 CONTACT RESISTANCE: <10 m OHM
 INSULATION RESISTANCE: >10³ M OHM
 A.C. BREAKDOWN:
 POLE-POLE: 5kV
 POLES-PANEL: 5.4kV
 OPERATING TEMPERATURE: -40° C TO + 70° C
 MAX. PIN TEMPERATURE: +65° C
 PANEL THICKNESS: 1.0mm
 APPROVALS: UL, CSA, VDE
 RoHS COMPLIANT

CONTROLLED

Dim range (mm)	Tolerance +/- (mm)	Qualtek Electronics Corp. PPC DIVISION		
		Part Number: 701-10/09	RoHS Compliant	
0-1	0.15	Description: AC RECEPTACLE		
1-6	0.20			
6-18	0.30	UNIT: mm	REV. B	
18-50	0.50		REV. B	
50-120	0.70	Drawn / Date	Checked / Date	Approved / Date
120-250	0.90	B. ZHANG 06-07-02	06-07-02	JJH / 06-07-02
250-500	1.20			