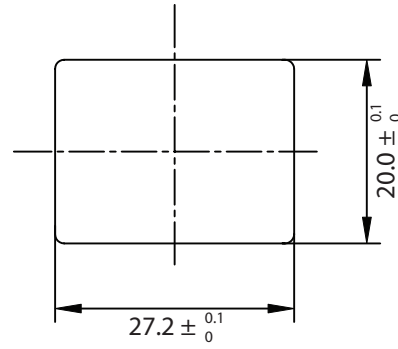
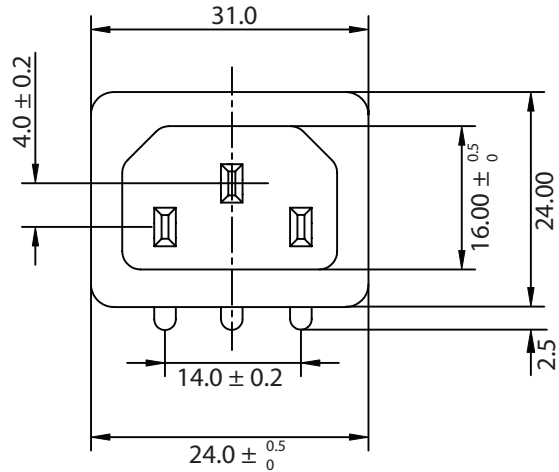
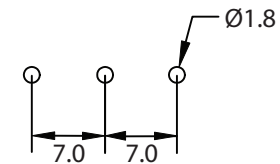
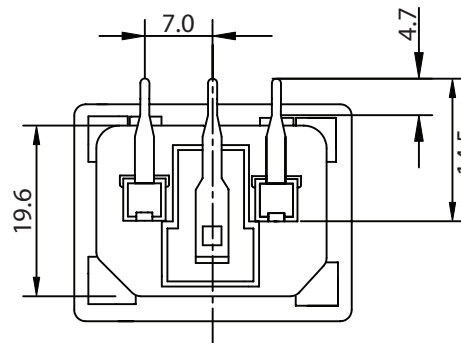
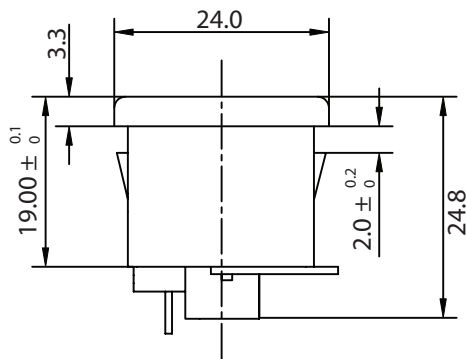
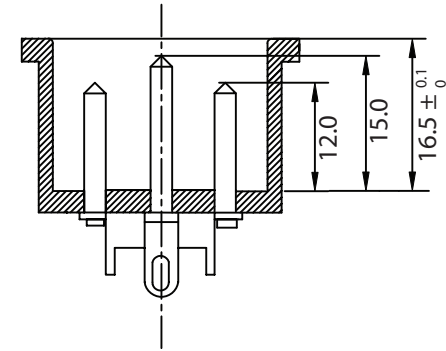


THESE DRAWINGS ARE THE PROPERTY OF QUALTEK ELECTRONICS AND NOT TO BE REPRODUCED FOR OR COMMUNICATED TO A THIRD PARTY WITHOUT THE EXPRESS WRITTEN PERMISSION OF AN OFFICER OF QUALTEK ELECTRONICS.

REVISION			
REV.	DESCRIPTION	DATE	APPROVED
B	RoHS Compliancy	06-01-06	DP
C	Updated Approvals	08-21-08	LY



PANEL CUTOUT



NOTES:

HOUSING: THERMOPLASTIC

TERMINAL: COPPER ALLOY

RATING:

UL, CSA: 15A 250V AC

VDE, CCC: 10A 250V AC

INSULATION RESISTANCE: OVER 100M OHM 500V DC

DIELECTRIC STRENGTH: 2000V AC ONE MINUTE

APPROVALS: UL, CSA, VDE, CCC

PANEL THICKNESS: 2.0mm

RoHS COMPLIANT

**CONTROLLED**

Dim range (mm)	Tolerance +/- (mm)	Qualtek Electronics Corp. PPC DIVISION		
		Part Number: 701W-20/07 <span style="border: 1px solid green; padding: 2px;">RoHS Compliant</span>		Description: SNAP-IN POWER INLET
0-1	0.15	UNIT: mm		REV. C
1-6	0.20	Drawn / Date	Checked / Date	Approved / Date
6-18	0.30	B.Zhang	06-10-02	JJH / 06-10-02
18-50	0.50			
50-120	0.70			
120-250	0.90			
250-500	1.20			