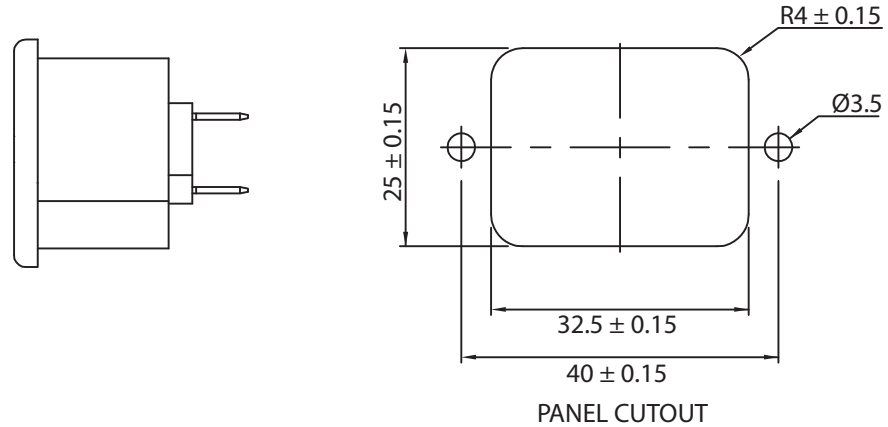
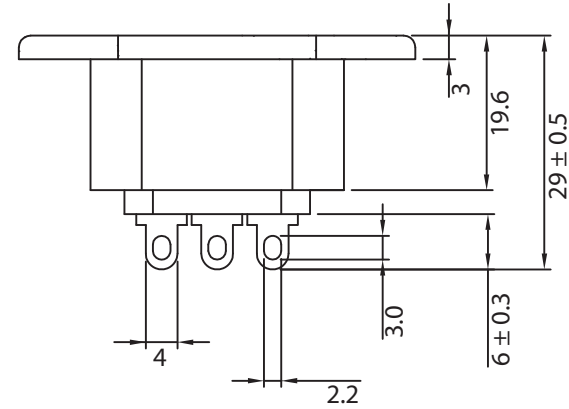
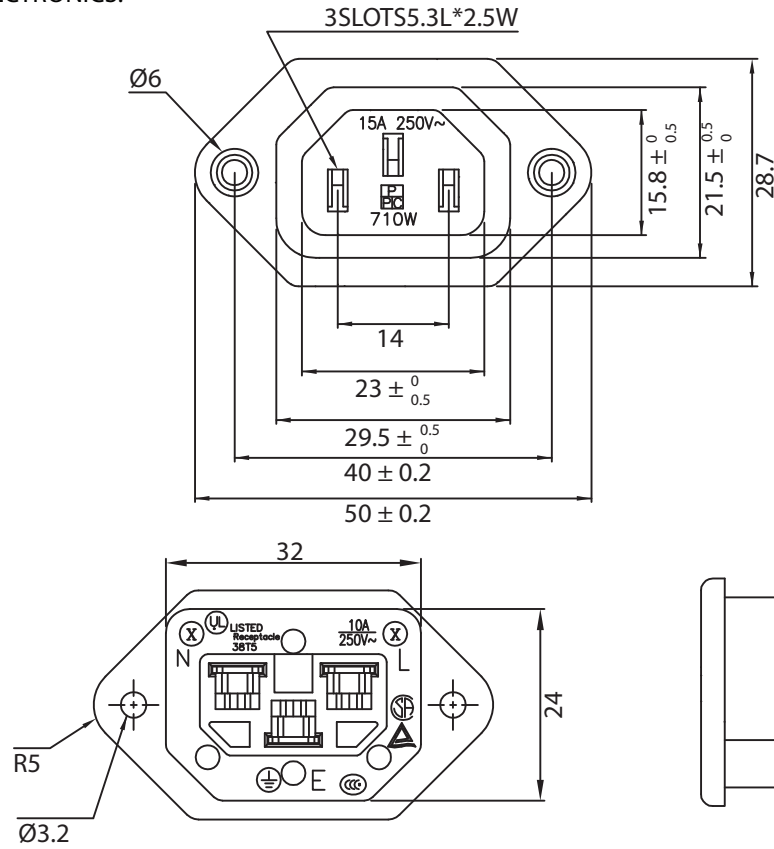


THESE DRAWINGS ARE THE PROPERTY OF QUALTEK ELECTRONICS AND NOT TO BE REPRODUCED FOR OR COMMUNICATED TO A THIRD PARTY WITHOUT THE EXPRESS WRITTEN PERMISSION OF AN OFFICER OF QUALTEK ELECTRONICS.

REVISION			
REV.	DESCRIPTION	DATE	APPROVED
B	RoHS Compliancy	06-01-06	DP
C	Updated Specifications	11-09-11	LY
D	Updated Approvals	03-08-16	LY



CONTROLLED

NOTES:

MATERIAL:

HOUSING: PBT BLACK COLOR

TERMINAL: BRASS STRIP t=0.8mm TIN-PLATED

RATING:

UL, CSA: 15A 250V AC

TUV, CCC: 10A 250V AC

APPROVALS: UL, CSA, TUV, CCC

RoHS COMPLIANT

Dim range (mm)		Tolerance +/- (mm)	Qualtek Electronics Corp. PPC DIVISION		
			Part Number: 710W-00/01		RoHS Compliant
			Description: AC RECEPTACLE		
0-1	0.40		UNIT: mm		REV.D
1-6	0.50				
6-18	0.60				
18-50	0.70				
50-120	0.80		Drawn / Date	Checked / Date	Approved / Date
120-250	0.90		B. ZHANG 01-14-05	01-14-05	JJH / 01-14-05
250-500	1.20				