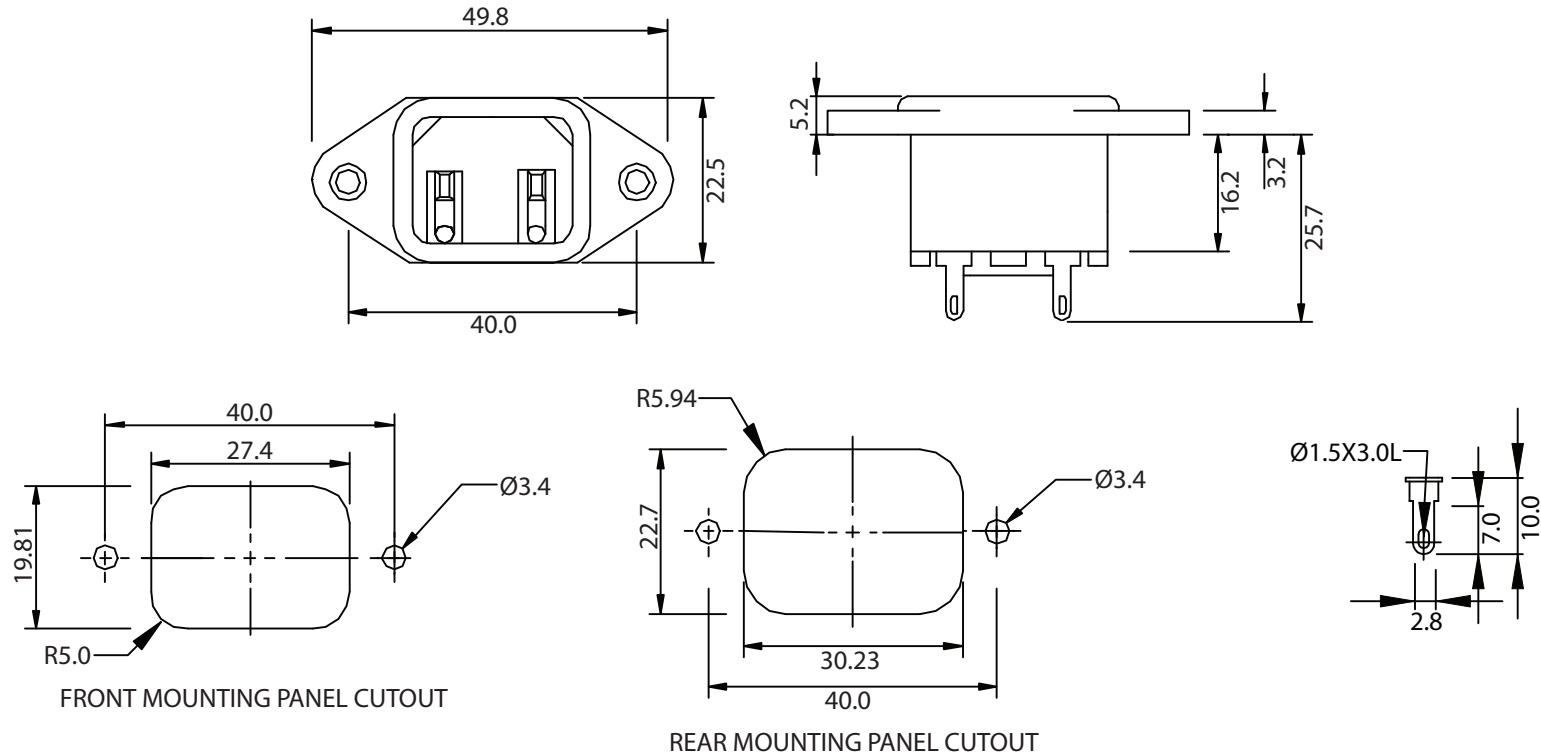


THESE DRAWINGS ARE THE PROPERTY OF QUALTEK ELECTRONICS AND NOT TO BE REPRODUCED FOR OR COMMUNICATED TO A THIRD PARTY WITHOUT THE EXPRESS WRITTEN PERMISSION OF AN OFFICER OF QUALTEK ELECTRONICS.

REVISION			
REV.	DESCRIPTION	DATE	APPROVED
B	RoHS Compliancy	06-01-06	DP



NOTES:

MATERIAL:

- MOULDING: NYLON, FLAMMABILITY RATING UL 94V-0
- CONTACTS: BRASS PINS, NICKEL PLATED
- TAGS, TIN PLATED
- SCREW TERMINALS, NICKEL PLATED

RATING:

- UL,CSA: 15A 250V AC
- VDE: 10A 250V AC
- CONTACT RESISTANCE: <10m OHM
- INSULATION RESISTANCE: >10³M OHM
- A.C. BREAKDOWN:
 - POLE-POLE: 5kV
 - POLES-PANEL: 5.4kV
- OPERATING TEMPERATURE: -40° C TO +70° C
- MAX. PIN TEMPERATURE: +65° C
- APPROVALS: UL,CSA,VDE
- RoHS COMPLIANT

CONTROLLED

Dim range (mm)	Tolerance +/- (mm)	Qualtek Electronics Corp. PPC DIVISION		
		Part Number:	713-00/28	RoHS Compliant
0-1	0.15	Description: AC RECEPTACLE		
1-6	0.20			
6-18	0.30	UNIT: mm	REV. B	
18-50	0.50		Approved / Date	
50-120	0.70	Drawn / Date	Checked / Date	Approved / Date
120-250	0.90	B.Zhang 04-15-02	04-15-02	JJH / 04-15-02
250-500	1.20			