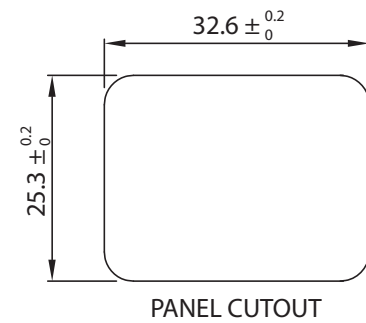
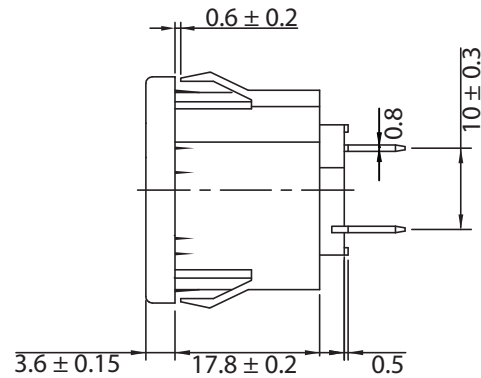
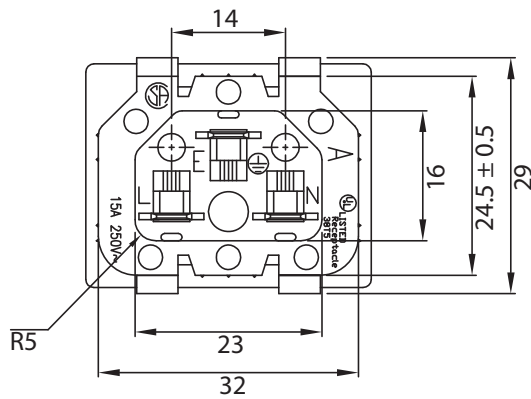
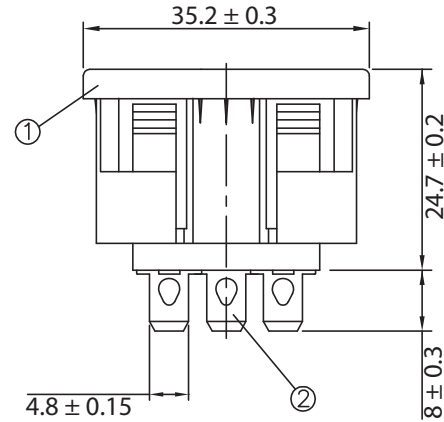
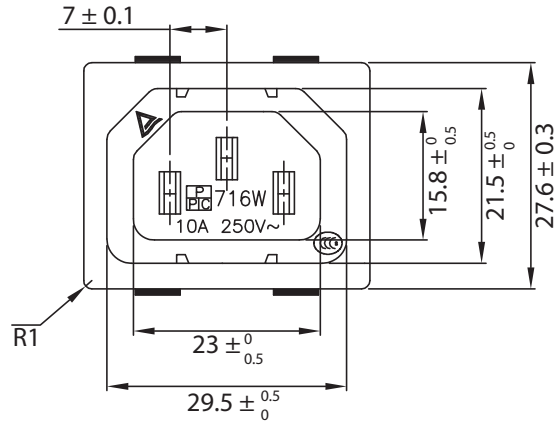


THESE DRAWINGS ARE THE PROPERTY OF QUALTEK ELECTRONICS AND NOT TO BE REPRODUCED FOR OR COMMUNICATED TO A THIRD PARTY WITHOUT THE EXPRESS WRITTEN PERMISSION OF AN OFFICER OF QUALTEK ELECTRONICS.

REVISION			
REV.	DESCRIPTION	DATE	APPROVED
B	RoHS Compliancy	06-01-06	DP
C	Updated Approvals and Notes	01-26-16	LY



CONTROLLED

NOTES:

RATING:

UL, CSA: 15A 250V AC

TUV, CCC: 10A 250V AC

APPROVALS: UL, CSA, TUV, CCC

PANEL THICKNESS: 0.8~1.5mm

RoHS COMPLIANT

2	Contact PIN Brass Strip t=0.8mm Tin-Plated	3		
1	Body Insulator PC Black Color UL94V-0	1		
Dim range (mm)	Tolerance +/- (mm)	Qualtek Electronics Corp. PPC DIVISION		
		Part Number: 716W-X2/02	RoHS Compliant	
0-1	0.15	Description: AC RECEPTACLE		
1-6	0.20			
6-18	0.30	UNIT: mm	REV. C	
18-50	0.50			
50-120	0.70	Drawn / Date	Checked / Date	Approved / Date
120-250	0.90	B.ZHANG 07-14-05	07-14-05	JJH / 07-14-05
250-500	1.20			