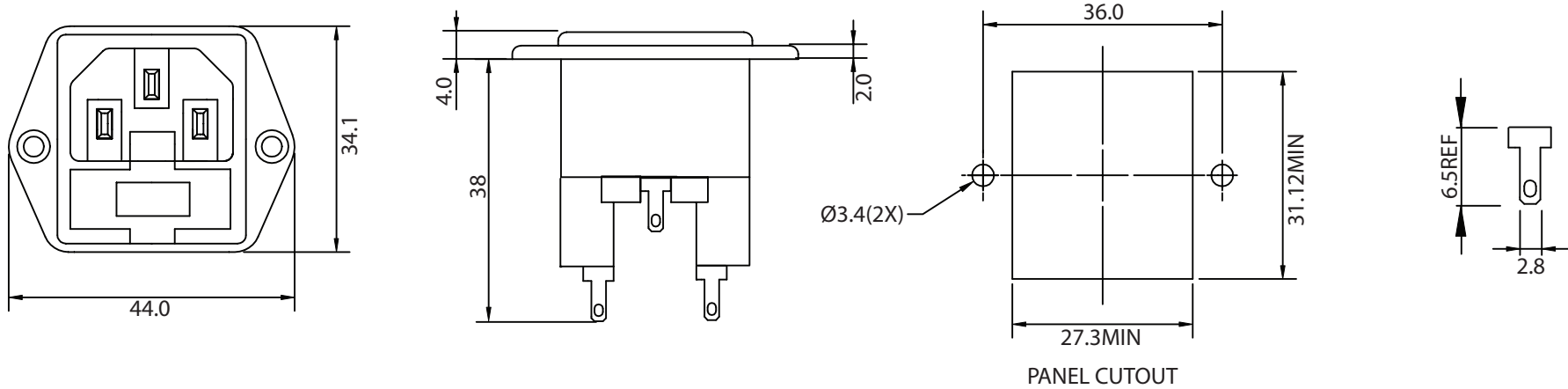


THESE DRAWINGS ARE THE PROPERTY OF QUALTEK ELECTRONICS AND NOT TO BE REPRODUCED FOR OR COMMUNICATED TO A THIRD PARTY WITHOUT THE EXPRESS WRITTEN PERMISSION OF AN OFFICER OF QUALTEK ELECTRONICS.

REVISION			
REV.	DESCRIPTION	DATE	APPROVED
B	RoHS Compliancy	06-01-06	DP
C	Updated Approvals	03-16-15	LY



NOTES:

MATERIAL:

MOLDING: NYLON, FLAMMABILITY RATING UL 94V-0
 CONTACTS: BRASS PINS NICKEL PLATED, TAGS TIN PLATED

RATING: 10A 250V AC

CONTACT RESISTANCE: <15m OHM (POLE)

INSULATION RESISTANCE: >10000M OHM

A.C. BREAKDOWN:

POLE-POLE: 6kV

POLES-PANEL: 5.0kV

OPERATING TEMPERATURE: -20°C TO +70°C

MAX PIN TEMPERATURE: +65°C

APPROVALS: UL, CSA

DUAL FUSEHOLDER, TWO ACTIVE

FUSES NOT INCLUDED - RECOMMENDED SIZE: 5 X 20mm

RoHS COMPLIANT

CONTROLLED

Dim range (mm)	Tolerance +/- (mm)	Qualtek Electronics Corp. PPC DIVISION		
		Part Number: 719A-00/28	RoHS Compliant	
0-1	0.15	Description: AC RECEPTACLE		
1-6	0.20			
6-18	0.30		UNIT: mm	REV. C
18-50	0.50			
50-120	0.70	Drawn / Date	Checked / Date	Approved / Date
120-250	0.90	B.ZHANG 12-30-02	12-30-02	JJH / 12-30-02
250-500	1.20			