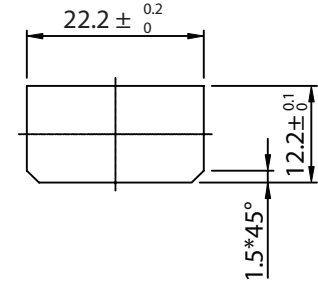
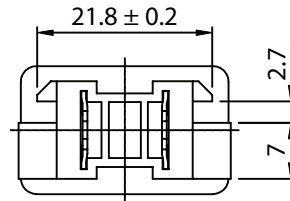
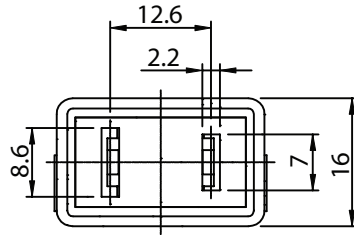
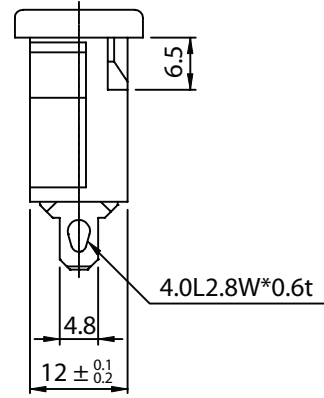
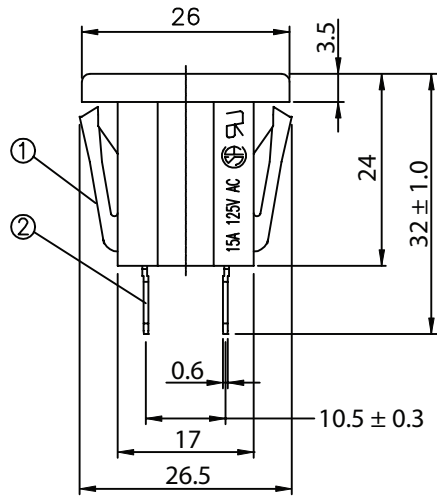


THESE DRAWINGS ARE THE PROPERTY OF QUALTEK ELECTRONICS AND NOT TO BE REPRODUCED FOR OR COMMUNICATED TO A THIRD PARTY WITHOUT THE EXPRESS WRITTEN PERMISSION OF AN OFFICER OF QUALTEK ELECTRONICS.

REVISION			
REV.	DESCRIPTION	DATE	APPROVED
B	RoHS Compliancy	06-01-06	DP
C	Updated Specifications	05-26-09	LY



PANEL CUTOUT  
Panel Thickness Range: 1.0mm ~ 1.8mm



**CONTROLLED**

NOTES:

15A 125V AC  
PANEL THICKNESS: 1.0~1.8mm  
APPROVALS: UL, CSA  
RoHS COMPLIANT

2	Soldering PIN(t) - 0.6mm Tin-Plated	2		
1	Body Insulator PC Black Color	1		
<b>Qualtek Electronics Corp.</b>				
<b>PPC DIVISION</b>				
Dim range (mm)	Tolerance +/- (mm)	Part Number: <b>738W-CX2/01</b> <span style="border: 1px solid green; padding: 2px;">RoHS Compliant</span>		
0-1	0.15	Description: <b>SNAP-IN NEMA 1-15R</b>		
1-6	0.20			
6-18	0.30	UNIT: mm		
18-50	0.50			
50-120	0.70	REV. C		
120-250	0.90	Drawn / Date	Checked / Date	Approved / Date
250-500	1.20	B.ZHANG 01-30-04	01-30-04	JJH / 01-30-04