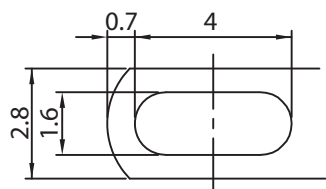
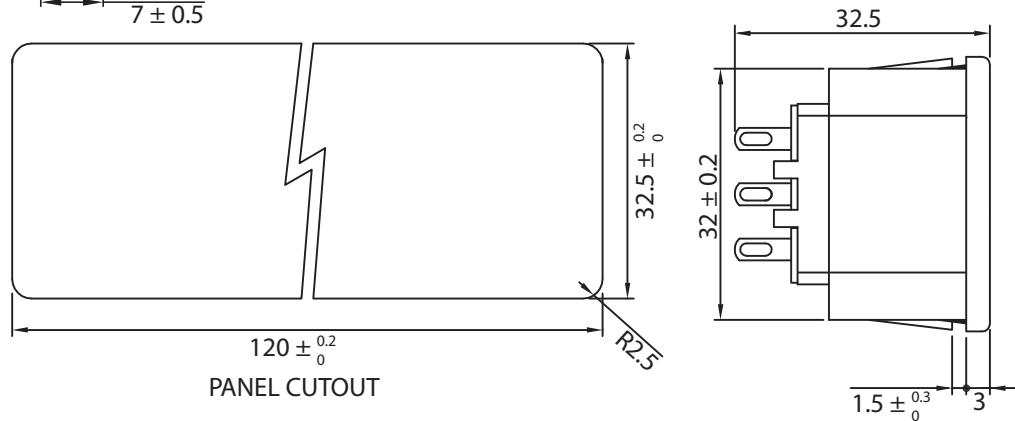
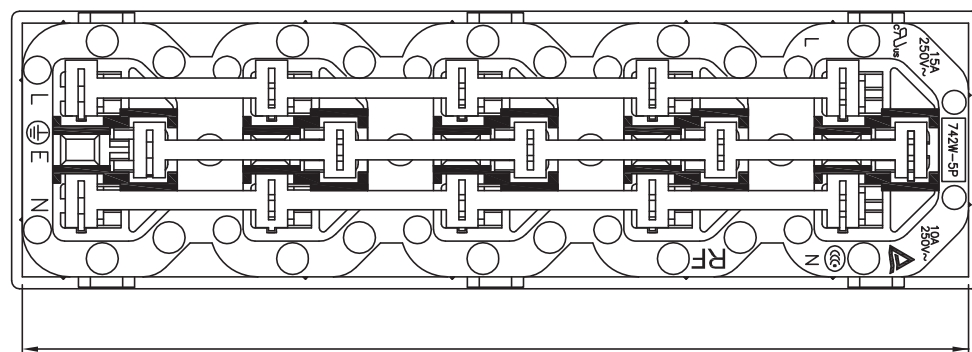
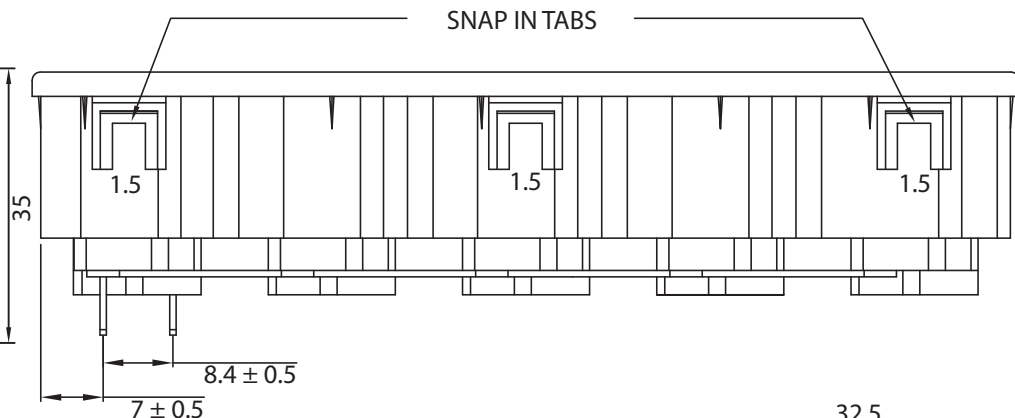
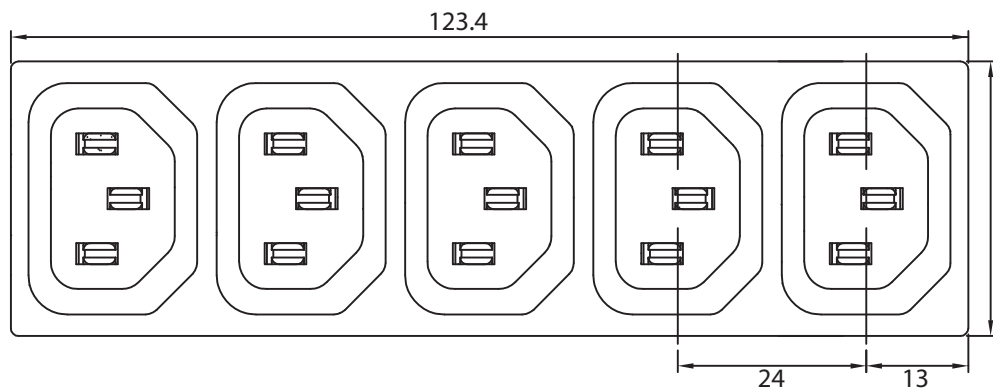


THESE DRAWINGS ARE THE PROPERTY OF QUALTEK ELECTRONICS AND NOT TO BE REPRODUCED FOR OR COMMUNICATED TO A THIRD PARTY WITHOUT THE EXPRESS WRITTEN PERMISSION OF AN OFFICER OF QUALTEK ELECTRONICS.

REVISION			
REV.	DESCRIPTION	DATE	APPROVED
B	Updated Approvals	04-23-15	LY



119.8 ± 0.2

PANEL CUTOUT

CONTROLLED

NOTES:

MATERIAL:

HOUSING: PC BLACK COLOR

TERMINALS: TIN PLATED t=0.8mm

RATING:

UL,cUL: 15A 250V AC

TUV,CCC: 10A 250V AC

APPROVALS: UL,cUL,TUV,CCC

PANEL THICKNESS: 1.5mm

RoHS COMPLIANT

Dim range (mm)	Tolerance +/- (mm)	Qualtek Electronics Corp. PPC DIVISION		
		Part Number:	742W-15/28	RoHS Compliant
0-1	0.15	Description: AC RECEPTACLE		
1-6	0.20			
6-18	0.30			
18-50	0.50			
50-120	0.70	UNIT: mm	REV. B	
120-250	0.90	Drawn / Date	Checked / Date	Approved / Date
250-500	1.20	R.Nuti 07-24-08	07-24-08	JJH / 07-24-08