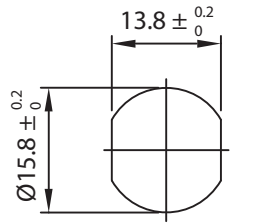
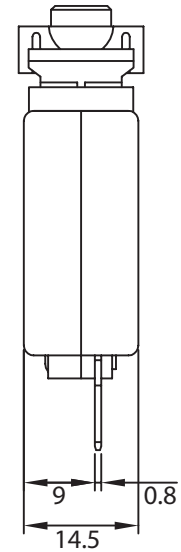
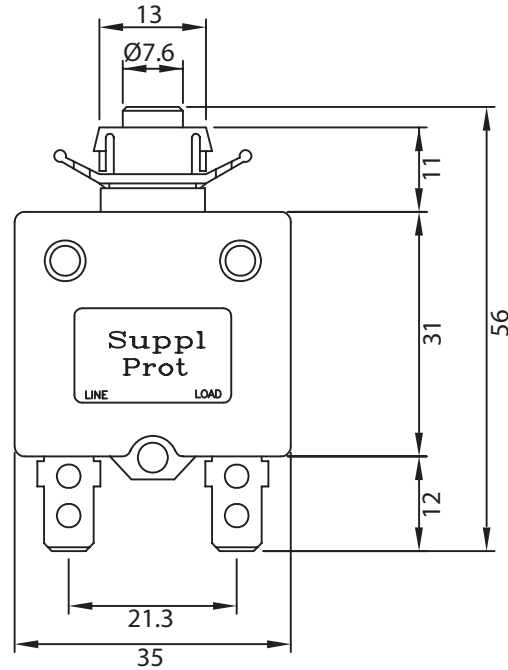
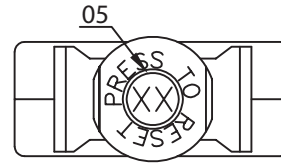
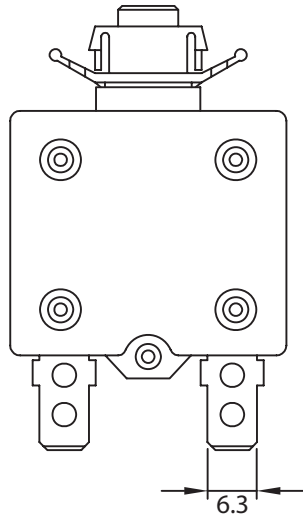


THESE DRAWINGS ARE THE PROPERTY OF QUALTEK ELECTRONICS AND NOT TO BE REPRODUCED FOR OR COMMUNICATED TO A THIRD PARTY WITHOUT THE EXPRESS WRITTEN PERMISSION OF AN OFFICER OF QUALTEK ELECTRONICS.

REVISION			
REV.	DESCRIPTION	DATE	APPROVED
B	Added Dimensions	09-09-08	LY



PANEL CUTOUT



NOTES:

RATING: 5A 125-250V AC/32V DC  
 PANEL THICKNESS: 0.8mm~2.5mm  
 APPROVALS: UL, cUL, TUV, CCC, CE  
 RoHS COMPLIANT

**CONTROLLED**

Dim range (mm)	Tolerance +/- (mm)	Qualtek Electronics Corp. PPC DIVISION		
		Part Number: QLB-053-00DNN-3BA <span style="border: 1px solid green; padding: 2px;">RoHS Compliant</span>		REV. B
0-1	0.15	Description: CIRCUIT BREAKER		
1-6	0.20	UNIT: mm	Approved / Date	
6-18	0.30			
18-50	0.50	Checked / Date	LY / 06-03-08	
50-120	0.70			
120-250	0.90	Drawn / Date	Approved / Date	
250-500	1.20			
R.Nuti 06-03-08		06-03-08	LY / 06-03-08	