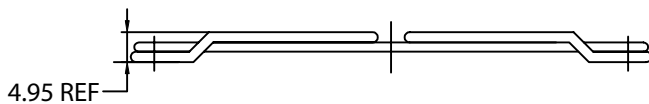
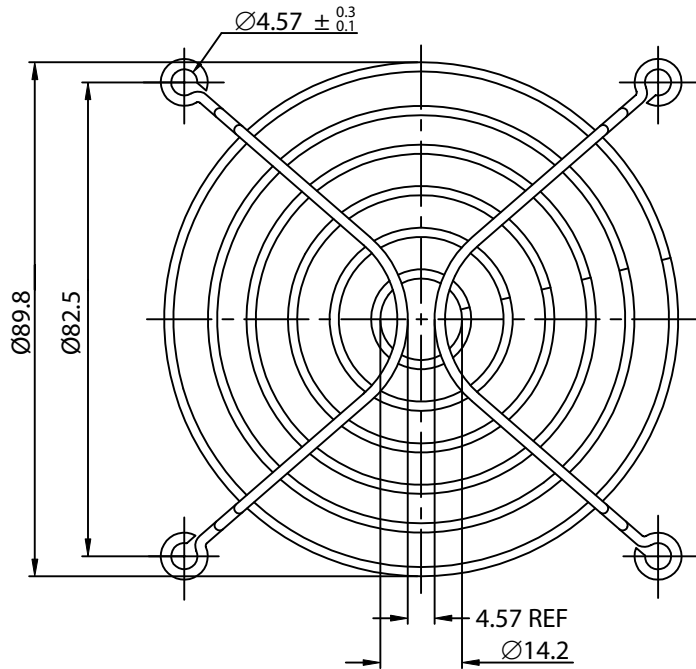


THESE DRAWINGS ARE THE PROPERTY OF QUALTEK ELECTRONICS AND NOT TO BE REPRODUCED FOR OR COMMUNICATED TO A THIRD PARTY WITHOUT THE EXPRESS WRITTEN PERMISSION OF AN OFFICER OF QUALTEK ELECTRONICS.

| REVISION | | | |
|----------|-----------------|----------|----------|
| REV. | DESCRIPTION | DATE | APPROVED |
| A | RoHS Compliancy | 06-01-06 | DP |
| | | | |
| | | | |



NOTES:

1. MATERIAL: C1008 BRIGHT BASIC WIRE
2. FINISH: BRIGHT NICKEL CHROME PLATING
3. 0.35 ± 0.05 DEPTH OF SERRATIONS ON WIRE
4. RING: $\varnothing 1.6 \pm 0.1\text{mm}$
RIB: $\varnothing 1.8 \pm 0.1\text{mm}$
5. GENERAL TOLERANCE UNLESS NOTED IS $\pm 0.5\text{mm}$
6. RoHS COMPLIANT

CONTROLLED

| Dim range (mm) | Tolerance +/- (mm) | Qualtek Electronics Corp. FAN-S DIVISION | | |
|----------------|--------------------|---|---|-----------------|
| | | Part Number: | <div style="border: 1px solid green; padding: 2px; display: inline-block;">RoHS Compliant</div> | |
| 0-5 | 0.1 | 08134 | Description: WIRE FORM FAN GUARD (92mm) | |
| 5-16 | 0.15 | | | |
| 16-64 | 0.2 | UNIT: mm | REV: A | |
| 64-250 | 0.4 | | | |
| 250-1000 | 0.5 | Drawn / Date | Checked / Date | Approved / Date |
| 1000-1500 | 1.0 | B. ZHANG 12-06-04 | 12-06-04 | JJH / 12-06-04 |