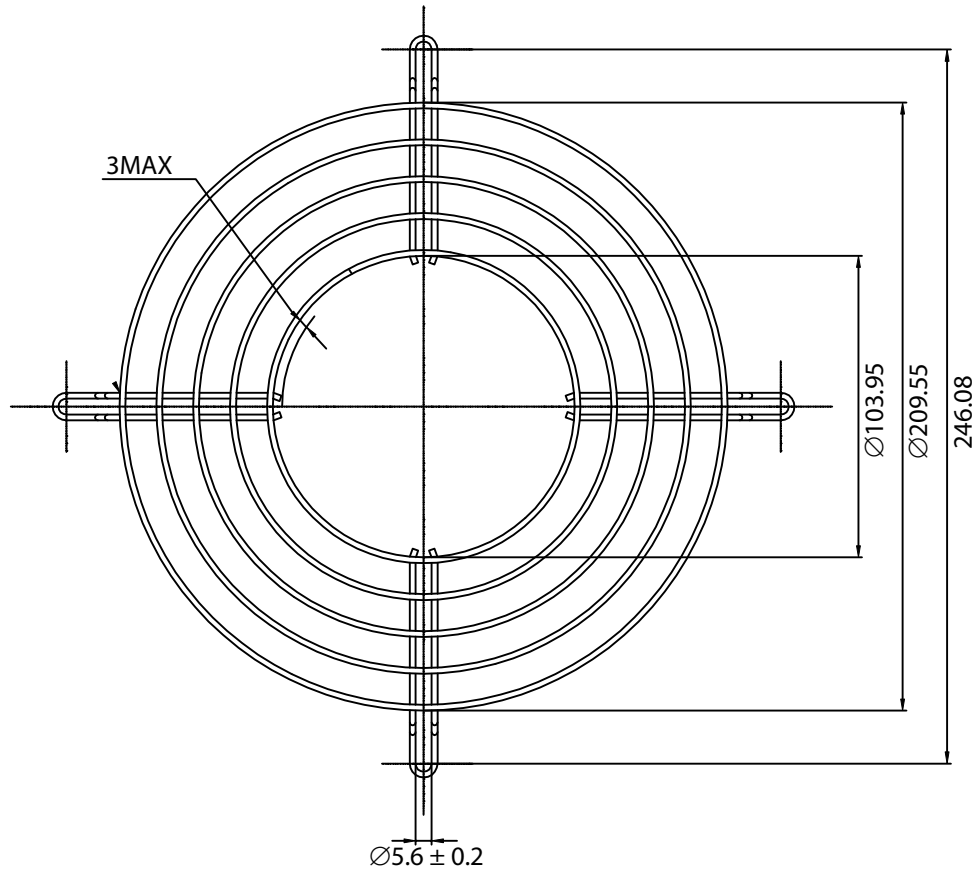


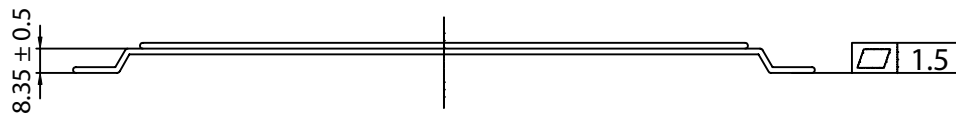
REVISION			
REV.	DESCRIPTION	DATE	APPROVED
A	RoHS Compliance	06-01-06	DP



NOTES:

1. MATERIAL: C1008 BRIGHT BASIC WIRE
2. FINISH: ZINC PLATING
3. 0.35 ± 0.05 DEPTH OF SERRATIONS ON WIRE
4. RING: $\varnothing 2.0 \pm 0.1\text{mm}$
RIB: $\varnothing 2.0 \pm 0.1\text{mm}$
5. GENERAL TOLERANCE UNLESS NOTED IS $\pm 0.76\text{mm}$
6. RoHS COMPLIANT

CONTROLLED



THESE DRAWINGS ARE THE PROPERTY OF QUALTEK ELECTRONICS AND NOT TO BE REPRODUCED FOR OR COMMUNICATED TO A THIRD PARTY WITHOUT THE EXPRESS WRITTEN PERMISSION OF AN OFFICER OF QUALTEK ELECTRONICS.

Dim range (mm)		Tolerance +/- (mm)		Qualtek Electronics Corp. FAN-S DIVISION		
0-5	0.1	Part Number: 08154-01		RoHS Compliant		
5-16	0.15	Description: WIRE FORM FAN GUARD (254mm)				
16-64	0.2			UNIT: mm	REV: A	
64-250	0.4			Drawn / Date	Checked / Date	Approved / Date
250-1000	0.5			B.ZHANG 11-17-03	11-17-03	JJH / 11-17-03
1000-1500	1.0					