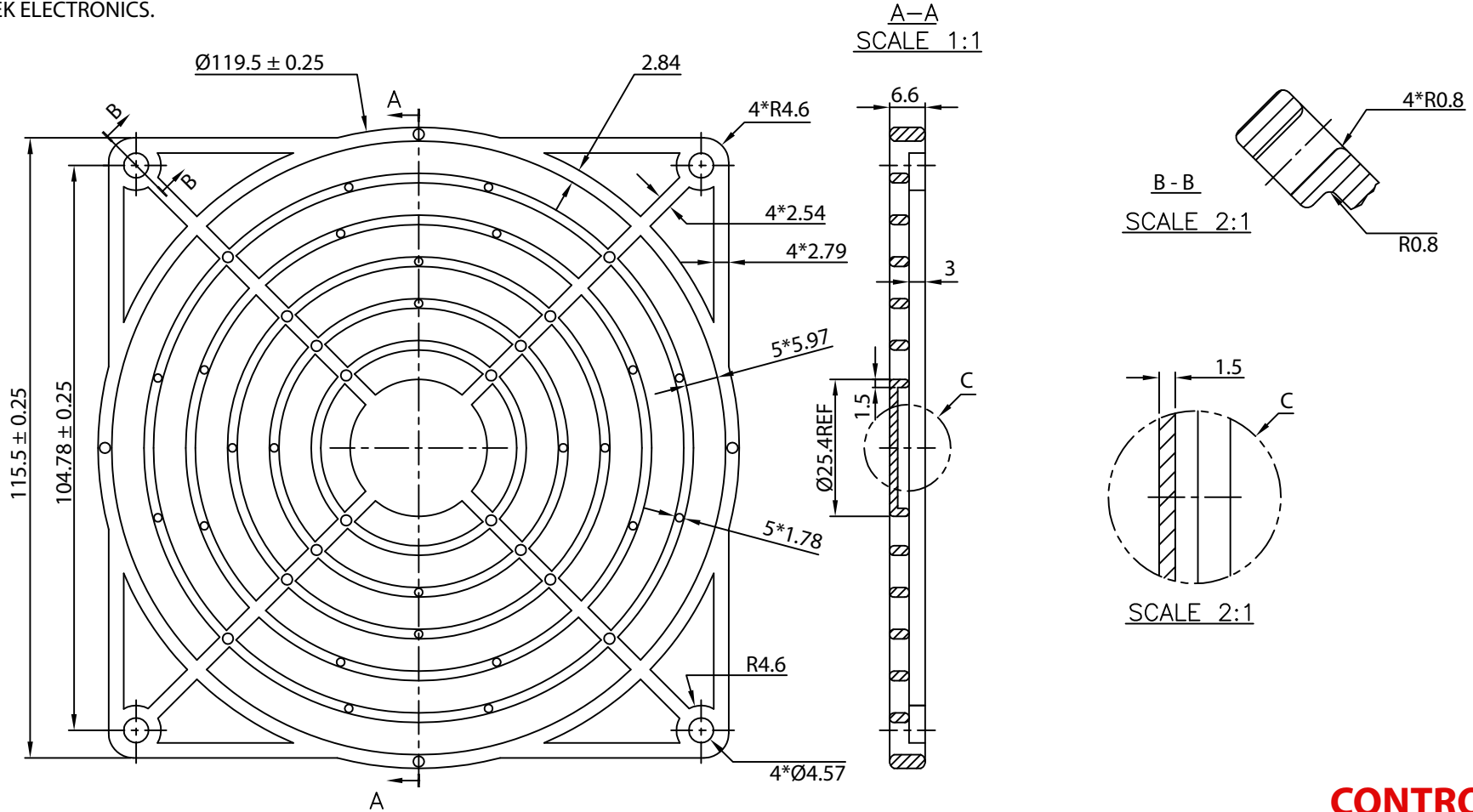


THESE DRAWINGS ARE THE PROPERTY OF QUALTEK ELECTRONICS AND NOT TO BE REPRODUCED FOR OR COMMUNICATED TO A THIRD PARTY WITHOUT THE EXPRESS WRITTEN PERMISSION OF AN OFFICER OF QUALTEK ELECTRONICS.

| REVISION | | | |
|----------|---------------------------------------|----------|----------|
| REV. | DESCRIPTION | DATE | APPROVED |
| B | RoHS Compliancy | 06-01-06 | DP |
| C | Updated Specifications | 01-23-08 | DP |
| D | Updated Graphics and Added Dimensions | 12-15-15 | LY |



CONTROLLED

NOTES:

MATERIAL: PC500-739 GF10% V-0
RoHS COMPLIANT

| Dim range (mm) | Tolerance +/- (mm) | Qualtek Electronics Corp. FAN-S DIVISION | | |
|----------------|--------------------|---------------------------------------------|----------------|-----------------|
| | | Part Number: | 09120-G | RoHS Compliant |
| 0-5 | 0.3 | Description: PLASTIC FAN GUARD | | |
| 5-16 | 0.4 | | | |
| 16-64 | 0.4 | UNIT: mm | REV: D | |
| 64-250 | 0.4 | Drawn / Date | Checked / Date | Approved / Date |
| 250-1000 | 0.5 | B. ZHANG 10-17-03 | 10-17-03 | JJH / 10-17-03 |
| 1000-1500 | 1.0 | | | |