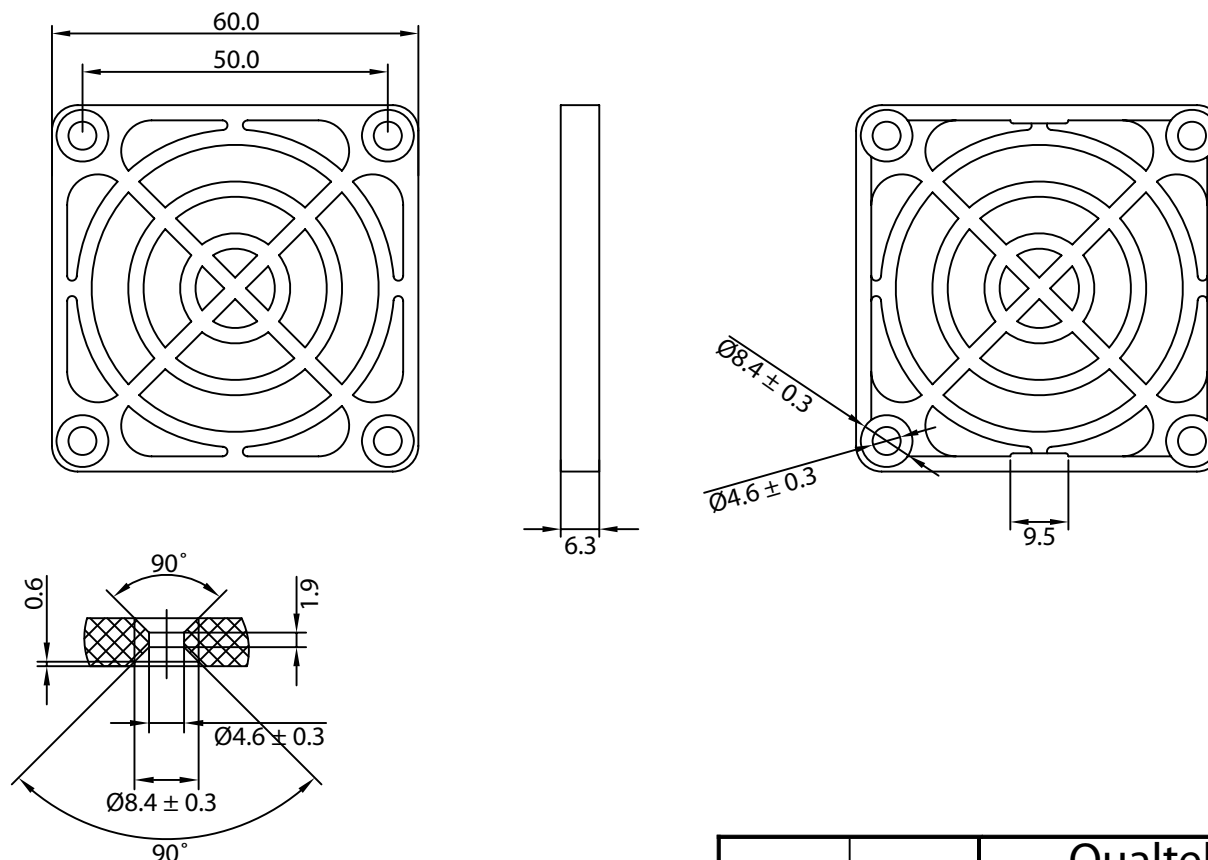


THESE DRAWINGS ARE THE PROPERTY OF QUALTEK ELECTRONICS AND NOT TO BE REPRODUCED FOR OR COMMUNICATED TO A THIRD PARTY WITHOUT THE EXPRESS WRITTEN PERMISSION OF AN OFFICER OF QUALTEK ELECTRONICS.

REVISION			
REV.	DESCRIPTION	DATE	APPROVED
B	RoHS Compliancy	06-01-06	DP
C	Updated Specifications	01-23-08	DP
D	Updated Graphics and Dimensions	05-21-10	LY
E	Added Hole Dimensions	08-19-10	LY
F	Material Update	04-15-13	LY



NOTES:

MATERIAL: PC 2805
UL94V-2
RoHS COMPLIANT

CONTROLLED

Dim range (mm)	Tolerance +/- (mm)	Qualtek Electronics Corp. FAN-S DIVISION		
		Part Number:	RoHS Compliant	
0-5	0.1	09250-G		
5-16	0.15	Description:	PLASTIC FAN GUARD	
16-64	0.2		UNIT: mm	REV: F
64-250	0.4	Drawn / Date	Checked / Date	Approved / Date
250-1000	0.5	B. ZHANG 04-12-05	04-12-05	JJH / 04-12-05
1000-1500	1.0			