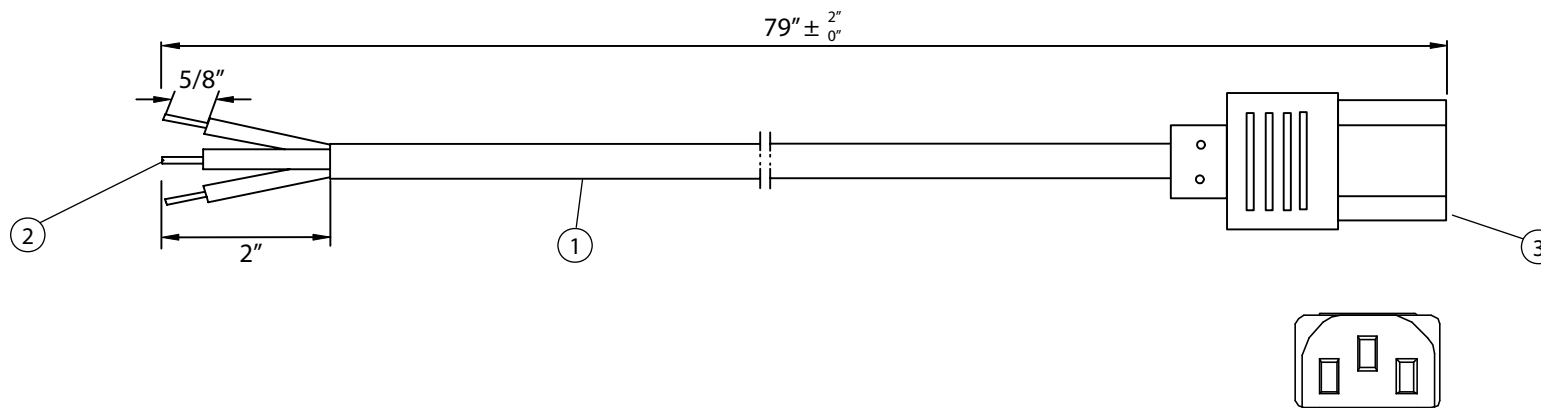


THESE DRAWINGS ARE THE PROPERTY OF QUALTEK ELECTRONICS AND NOT TO BE REPRODUCED FOR OR COMMUNICATED TO A THIRD PARTY WITHOUT THE EXPRESS WRITTEN PERMISSION OF AN OFFICER OF QUALTEK ELECTRONICS.

REVISION			
REV.	DESCRIPTION	DATE	APPROVED



NOTES:

1. CORDAGE: SJT, 16AWG / 3C, SHIELDED W/ MYLAR FOIL, CEE COLOR CODE, TEMP. RATING: 60°C, RATING: 125V, 13A, JACKET COLOR: BLACK
2. OTHER END: ROJ 2", STRIP 5/8"
3. CONNECTOR: IEC 60320 C13
4. APPROVALS: UL, CSA
5. ROHS COMPLIANT

CONTROLLED

Dim range (mm)		Tolerance +/- (mm)		Qualtek Electronics Corp. PPC DIVISION		
0-1	0.15	Part Number: 315021-01		RoHS Compliant		
1-6	0.20	Description: POWER CORD				
6-18	0.30	UNIT: in				
18-50	0.50					
50-120	0.70	Drawn / Date		Checked / Date		Approved / Date
120-250	0.90	R.Nuti 06-22-09		06-22-09		LY / 06-22-09
250-500	1.20					