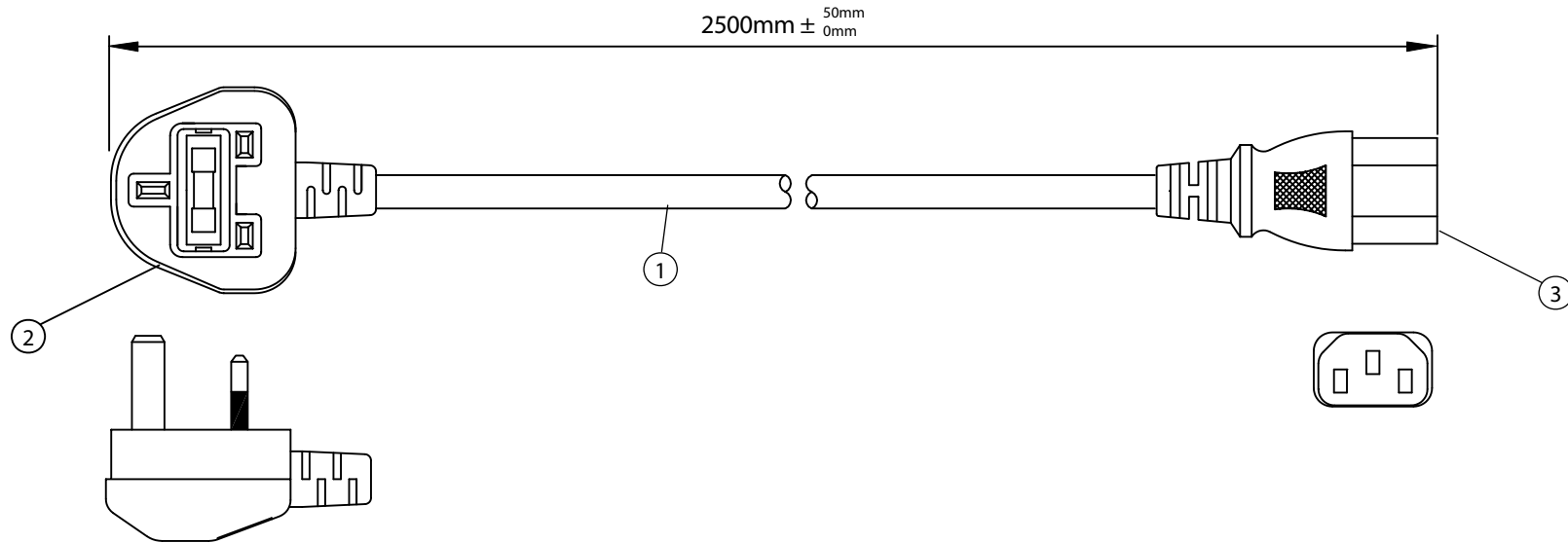


THESE DRAWINGS ARE THE PROPERTY OF QUALTEK ELECTRONICS AND NOT TO BE REPRODUCED FOR OR COMMUNICATED TO A THIRD PARTY WITHOUT THE EXPRESS WRITTEN PERMISSION OF AN OFFICER OF QUALTEK ELECTRONICS.

REVISION			
REV.	DESCRIPTION	DATE	APPROVED
B	RoHS Compliancey	06-01-06	DP
C	Added CE approval	12-30-08	LY
D	Updated Tolerances and Notes	03-12-12	LY



NOTES:

1. CORDAGE: H05VV-F, 3x1.00mm², UNSHIELDED CEE COLOR CODE, TEMP. RATING: 70°C, RATING: 250V, 10A, JACKET COLOR: BLACK
2. PLUG: UK PLUG BS1363A (SUPPLIED WITH 13A FUSE)
3. CONNECTOR: IEC 60320 C13
4. APPROVALS: UNITED KINGDOM, CE
5. ROHS COMPLIANT

CONTROLLED

Dim range (mm)		Tolerance +/- (mm)		Qualtek Electronics Corp. PPC DIVISION		
				Part Number: 370001-E01		RoHS Compliant
				Description: POWER CORD		
0-1	0.15			UNIT: mm		REV. D
1-6	0.20			Drawn / Date		Checked / Date
6-18	0.30			S.TSAI 06-18-96		Approved / Date
18-50	0.50			06-18-96		JJH / 06-18-96
50-120	0.70					
120-250	0.90					
250-500	1.20					