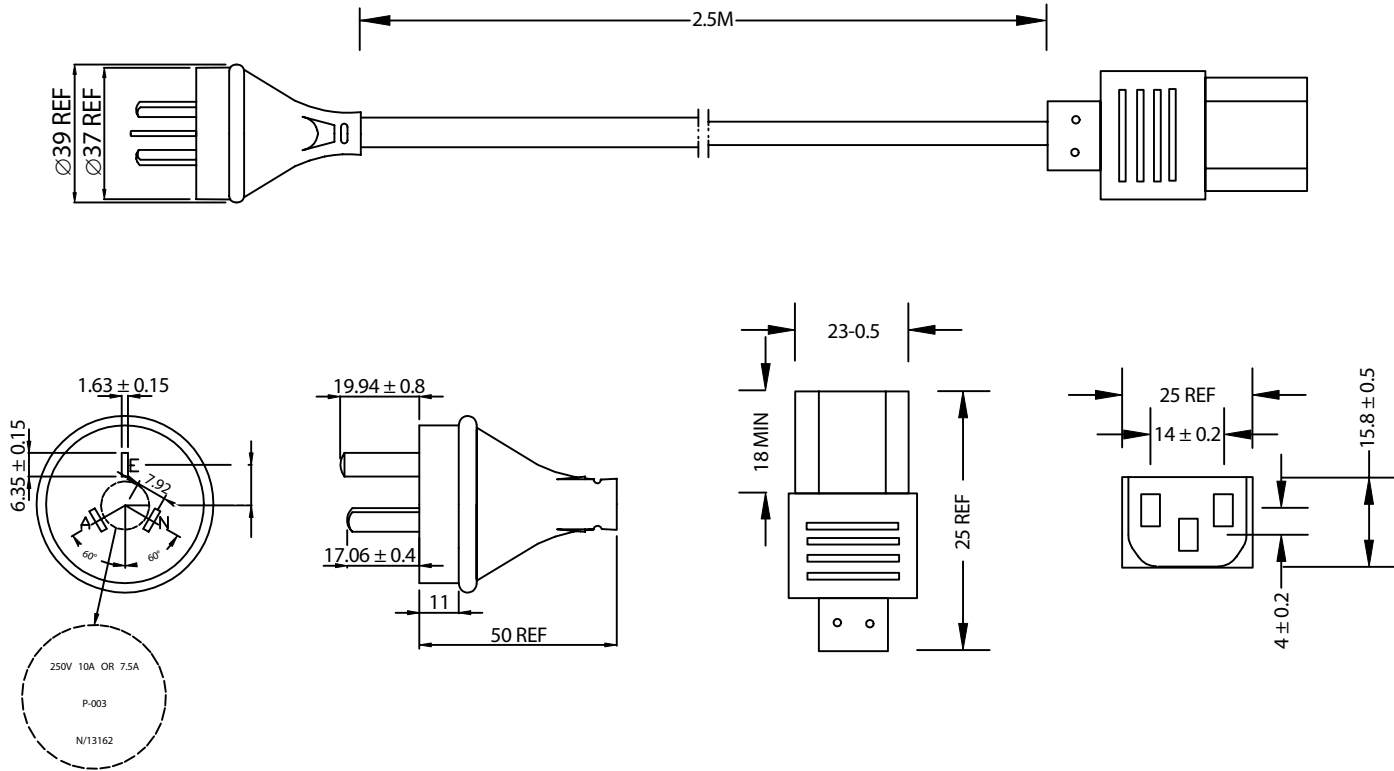


| | | Revision | |
|------|-------------|----------|----------|
| Rev. | Description | Date | Approved |
| | | | |
| | | | |
| | | | |



1. RoHS COMPLIANT

| Dim range (mm) | Tolerance +/- (mm) | Qualtek Electronics Corp. PPC DIVISION | | |
|----------------|--------------------|---|----------------|-----------------|
| | | Part Number: 374003-A01 | | RoHS Compliant |
| 0-1 | 0.15 | Description: POWER CORD | | |
| 1-6 | 0.20 | | | |
| 6-18 | 0.30 | | | |
| 18-50 | 0.50 | | | |
| 50-120 | 0.70 | Drawn / Date | Checked / Date | Approved / Date |
| 120-250 | 0.90 | B. Grubb 08-20-06 | 08-20-06 | JJH / 08-20-06 |
| 250-500 | 1.20 | | | |