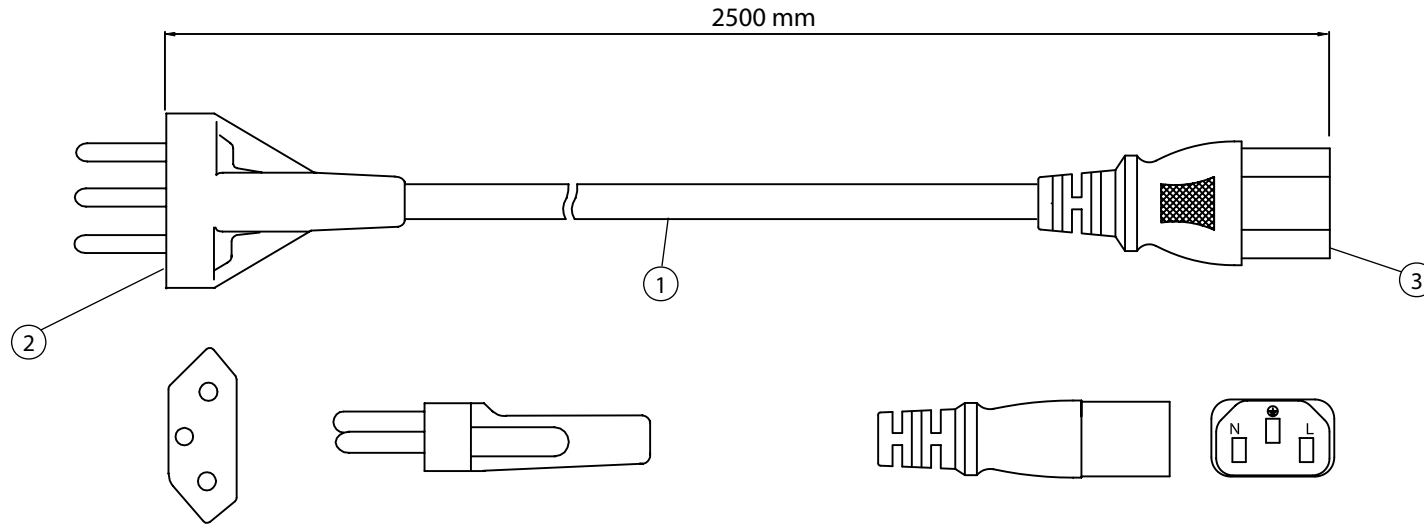


THESE DRAWINGS ARE THE PROPERTY OF QUALTEK ELECTRONICS AND NOT TO BE REPRODUCED FOR OR COMMUNICATED TO A THIRD PARTY WITHOUT THE EXPRESS WRITTEN PERMISSION OF AN OFFICER OF QUALTEK ELECTRONICS.

REVISION			
REV.	DESCRIPTION	DATE	APPROVED



NOTES:

1. CORDAGE: H05VV-F, 3 X 1.00mm, UNSHIELDED, CEE COLOR CODE, TEMP. RATING 70°C, RATING: 250V 10A, JACKET COLOR: BLACK
2. PLUG: SEV 1011
3. CONNECTOR: IEC 60320 C13
4. APPROVALS: SWITZERLAND
5. ROHS COMPLIANT

**CONTROLLED**

Dim range (mm)		Tolerance +/- (mm)		<b>Qualtek Electronics Corp.</b> PPC DIVISION		
0-1		0.15		Part Number: <b>378002-01</b> <span style="border: 1px solid green; padding: 2px;">RoHS Compliant</span>		
1-6		0.20		Description: <b>POWER CORD</b>		
6-18		0.30				
18-50		0.50		UNIT: mm		
50-120		0.70		Drawn / Date	Checked / Date	Approved / Date
120-250		0.90		R.Nuti 05-14-08	05-14-08	JJH / 05-14-08
250-500		1.20				