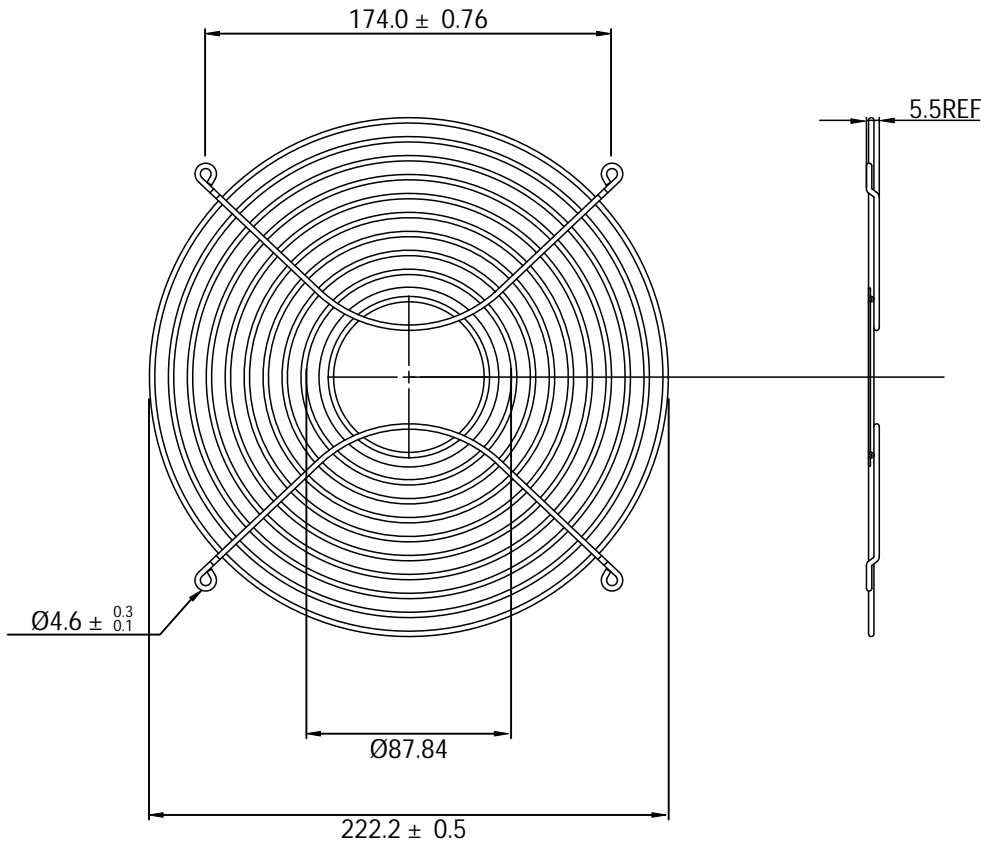


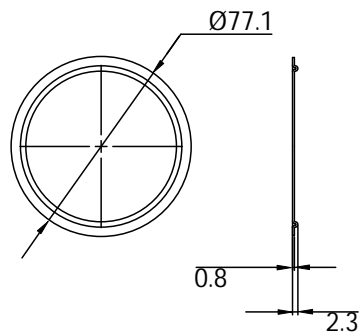
THESE DRAWINGS ARE THE PROPERTY OF QUALTEK ELECTRONICS AND NOT TO BE REPRODUCED FOR OR COMMUNICATED TO A THIRD PARTY WITHOUT THE EXPRESS WRITTEN PERMISSION OF AN OFFICER OF QUALTEK ELECTRONICS.

| REVISION |             |      |          |
|----------|-------------|------|----------|
| REV.     | DESCRIPTION | DATE | APPROVED |
|          |             |      |          |
|          |             |      |          |
|          |             |      |          |



NOTES:

1. MATERIAL: SUS304 STAINLESS STEEL
2. FINISH: ELECTROLYZE
3. RING:  $\varnothing 2.3 \pm 0.1\text{mm}$   
RIB:  $\varnothing 2.3 \pm 0.1\text{mm}$
4. GENERAL TOLERANCE UNLESS NOTED IS  $\pm 0.5\text{mm}$
5. RoHS COMPLIANT



**CONTROLLED**

| Dim range (mm) | Tolerance +/- (mm) | Qualtek Electronics Corp.<br>FAN-S DIVISION |                |                   |
|----------------|--------------------|---|----------------|-------------------|
| 0-5            | 0.1                | Part Number: 08127-SS                       |                | RoHS<br>Compliant |
| 5-16           | 0.15               | Description: WIRE FORM FAN GUARD (254mm)    |                |                   |
| 16-64          | 0.2                | UNIT: mm                                    |                |                   |
| 64-250         | 0.4                | Drawn / Date                                | Checked / Date | Approved / Date   |
| 250-1000       | 0.5                | R. Nuti<br>03-23-23                         | 03-23-23       | LY / 03-23-23     |
| 1000-1500      | 1.0                |   |                |                   |