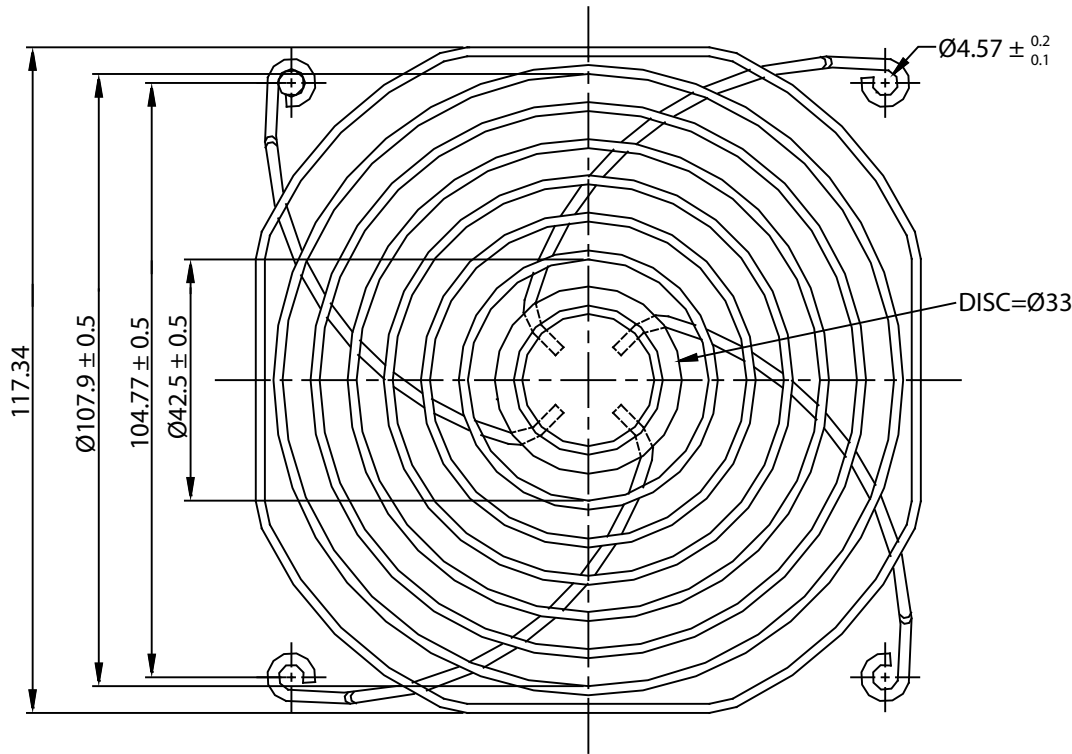


THESE DRAWINGS ARE THE PROPERTY OF QUALTEK ELECTRONICS AND NOT TO BE REPRODUCED FOR OR COMMUNICATED TO A THIRD PARTY WITHOUT THE EXPRESS WRITTEN PERMISSION OF AN OFFICER OF QUALTEK ELECTRONICS.

REVISION			
REV.	DESCRIPTION	DATE	APPROVED



NOTES:

1. MATERIAL: STAINLESS STEEL WIRE
2. FINISH: ELECTROLYZE
3.  $0.35 \pm 0.05$  DEPTH OF SERRATIONS ON WIRE
4. RING:  $\text{Ø}1.6 \pm 0.1$ mm  
RIB:  $\text{Ø}2.0 \pm 0.1$ mm  
DISC: =  $\text{Ø}33$  T= $0.8$ mm
5. GENERAL TOLERANCE UNLESS NOTED IS  $\pm 0.7$ mm
6. RoHS COMPLIANT

**CONTROLLED**



Dim range (mm)	Tolerance +/- (mm)	Qualtek Electronics Corp. FAN-S DIVISION		
		Part Number:	8141-SS	RoHS Compliant
0-5	0.1	Description: WIRE FORM FAN GUARD (120mm)		
5-16	0.15	UNIT: mm		
16-64	0.2	Drawn / Date	Checked / Date	Approved / Date
64-250	0.4	R.Nuti 04-08-08	04-08-08	JJH / 04-08-08
250-1000	0.5			
1000-1500	1.0			