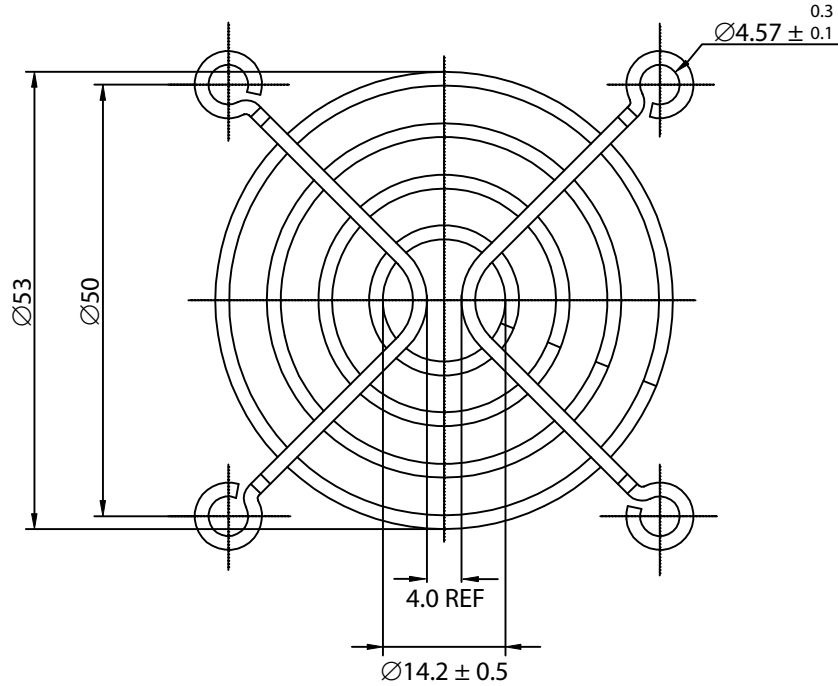


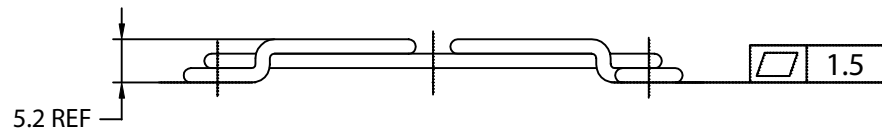
THESE DRAWINGS ARE THE PROPERTY OF QUALTEK ELECTRONICS AND NOT TO BE REPRODUCED FOR OR COMMUNICATED TO A THIRD PARTY WITHOUT THE EXPRESS WRITTEN PERMISSION OF AN OFFICER OF QUALTEK ELECTRONICS.

REVISION			
REV.	DESCRIPTION	DATE	APPROVED



NOTES:

1. MATERIAL: STAINLESS STEEL WIRE
2. FINISH: ELECTROLYZE
3. 0.35 ± 0.05 DEPTH OF SERRATIONS ON WIRE
4. RING: Ø1.6 ± 0.1mm  
RIB: Ø1.6 ± 0.1mm
5. GENERAL TOLERANCE UNLESS NOTED IS ± 0.5mm
6. RoHS COMPLIANT



**CONTROLLED**

Dim range (mm)		Tolerance +/- (mm)		Qualtek Electronics Corp. FAN-S DIVISION		
0-5	0.1	Part Number: 08147-SS		RoHS Compliant		
5-16	0.15	Description: WIRE FORM FAN GUARD (60mm)		UNIT: mm		
16-64	0.2	Drawn / Date		Checked / Date	Approved / Date	
64-250	0.4	R.Nuti 10-21-08		10-21-08	LY / 10-21-08	
250-1000	0.5	1000-1500				
1000-1500	1.0					