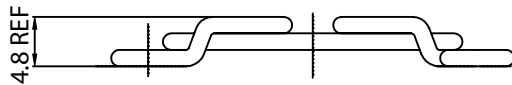
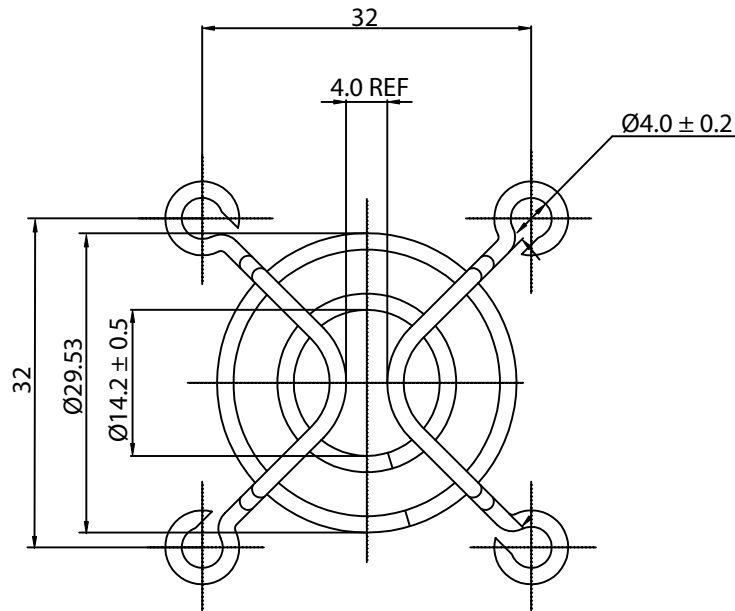


THESE DRAWINGS ARE THE PROPERTY OF QUALTEK ELECTRONICS AND NOT TO BE REPRODUCED FOR OR COMMUNICATED TO A THIRD PARTY WITHOUT THE EXPRESS WRITTEN PERMISSION OF AN OFFICER OF QUALTEK ELECTRONICS.

REVISION			
REV.	DESCRIPTION	DATE	APPROVED
B	RoHS Compliance	06-01-06	DP



NOTES:

1. MATERIAL: C1008 BRIGHT BASIC WIRE
2. BLACK E.D.
3. 0.35 ± 0.05 DEPTH OF SERRATIONS ON WIRE
4. RING: Ø1.6 ± 0.1mm
RIB: Ø1.6 ± 0.1mm
5. GENERAL TOLERANCE UNLESS NOTED IS ± 0.5mm
6. RoHS COMPLIANT

CONTROLLED

Dim range (mm)	Tolerance +/- (mm)	Qualtek Electronics Corp. FAN-S DIVISION		
		Part Number:	08149-02	
0-5	0.1	Description: WIRE FORM FAN GUARD (40mm)		
5-16	0.15		UNIT: mm	REV: B
16-64	0.2			
64-250	0.4	Drawn / Date	Checked / Date	Approved / Date
250-1000	0.5	B. ZHANG 01-20-04	01-20-04	JJH / 01-20-04
1000-1500	1.0			