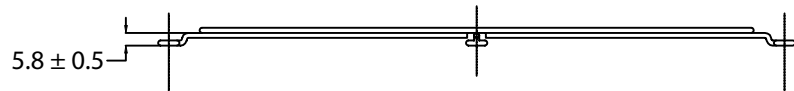
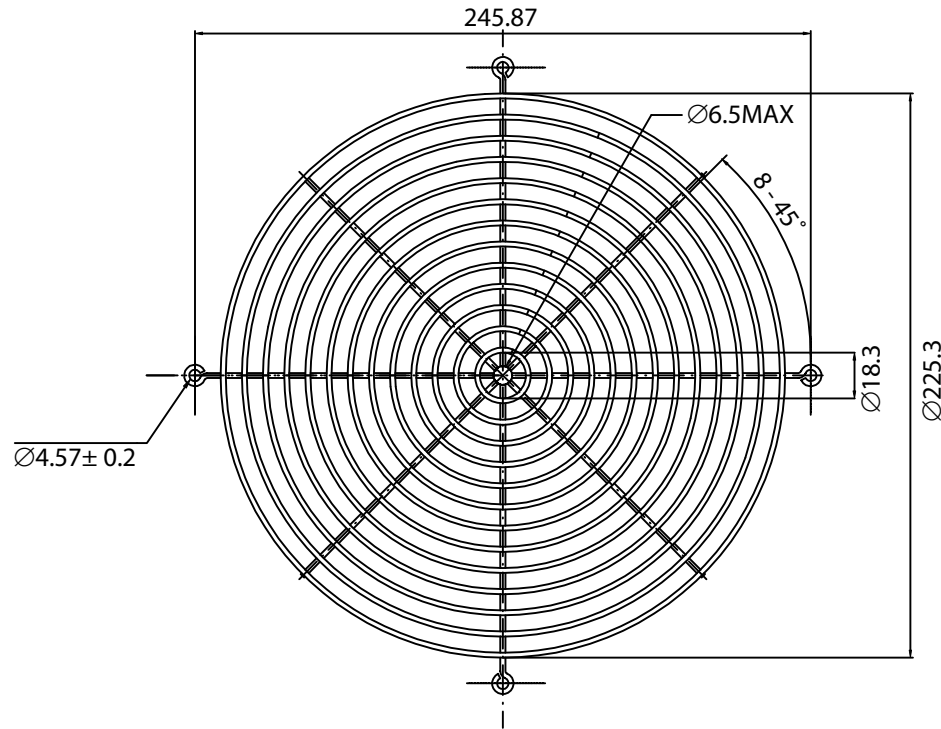


THESE DRAWINGS ARE THE PROPERTY OF QUALTEK ELECTRONICS AND NOT TO BE REPRODUCED FOR OR COMMUNICATED TO A THIRD PARTY WITHOUT THE EXPRESS WRITTEN PERMISSION OF AN OFFICER OF QUALTEK ELECTRONICS.

REVISION			
REV.	DESCRIPTION	DATE	APPROVED



NOTES:

1. MATERIAL: C1008 BRIGHT BASIC WIRE
2. FINISH: BLACK E.D.
3. 0.35 ± 0.05 DEPTH OF SERRATIONS ON WIRE
4. RING:  $\varnothing 2.0 \pm 0.1\text{mm}$   
RIB:  $\varnothing 2.0 \pm 0.1\text{mm}$
5. GENERAL TOLERANCE UNLESS NOTED IS  $\pm 0.8\text{mm}$
6. RoHS COMPLIANT

**CONTROLLED**

Dim range (mm)	Tolerance +/- (mm)	Qualtek Electronics Corp. FAN-S DIVISION		
		Part Number:	08155-02	<span style="border: 1px solid green; padding: 2px;">RoHS Compliant</span>
0-5	0.1	Description: WIRE FORM FAN GUARD (254mm)		
5-16	0.15		UNIT: mm	
16-64	0.2			
64-250	0.4	Drawn / Date	Checked / Date	Approved / Date
250-1000	0.5	R. Nuti 09-01-15	09-01-15	LY / 09-01-15
1000-1500	1.0			