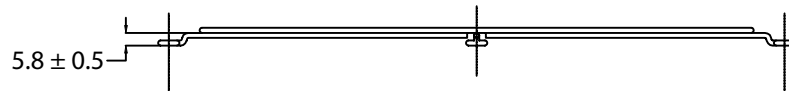
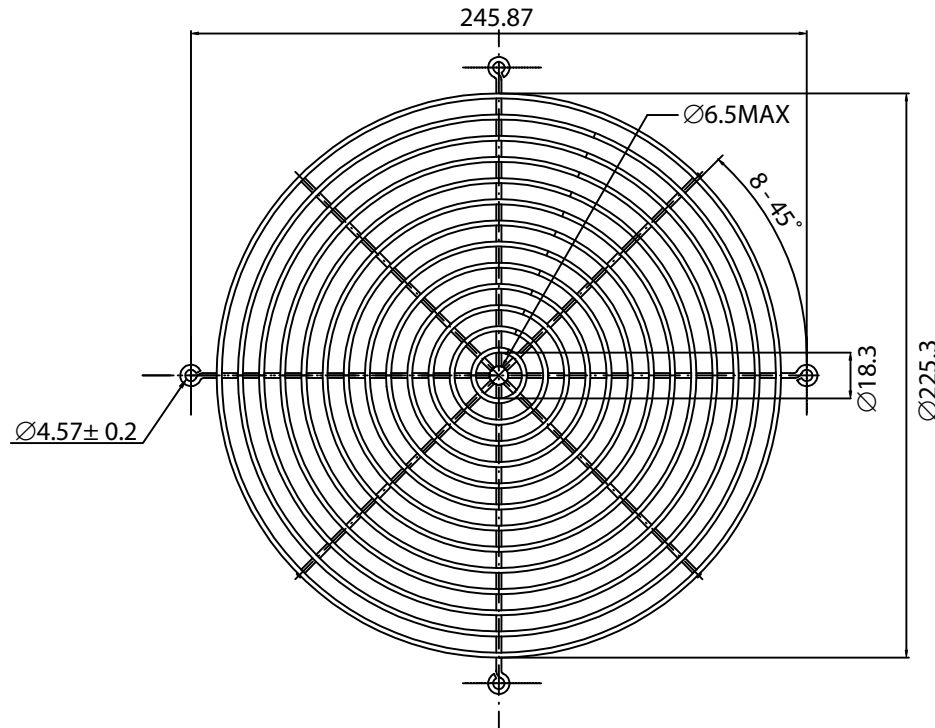


THESE DRAWINGS ARE THE PROPERTY OF QUALTEK ELECTRONICS AND NOT TO BE REPRODUCED FOR OR COMMUNICATED TO A THIRD PARTY WITHOUT THE EXPRESS WRITTEN PERMISSION OF AN OFFICER OF QUALTEK ELECTRONICS.

REVISION			
REV.	DESCRIPTION	DATE	APPROVED



NOTES:

1. MATERIAL: 304 STAINLESS STEEL WIRE
2. FINISH: ELECTROLYSIS
3. 0.35 ± 0.05 DEPTH OF SERRATIONS ON WIRE
4. RING: $\varnothing 2.0 \pm 0.1\text{mm}$
RIB: $\varnothing 2.0 \pm 0.1\text{mm}$
5. GENERAL TOLERANCE UNLESS NOTED IS $\pm 0.8\text{mm}$
6. RoHS COMPLIANT

CONTROLLED

Dim range (mm)	Tolerance +/- (mm)	Qualtek Electronics Corp. FAN-S DIVISION		
		Part Number:	RoHS Compliant	
0-5	0.1	08155-SS	Description: WIRE FORM FAN GUARD (254mm)	
5-16	0.15			
16-64	0.2		UNIT: mm	
64-250	0.4		Drawn / Date	Checked / Date
250-1000	0.5		R. Nuti 07-13-16	07-13-16
1000-1500	1.0			Approved / Date LY / 07-13-16