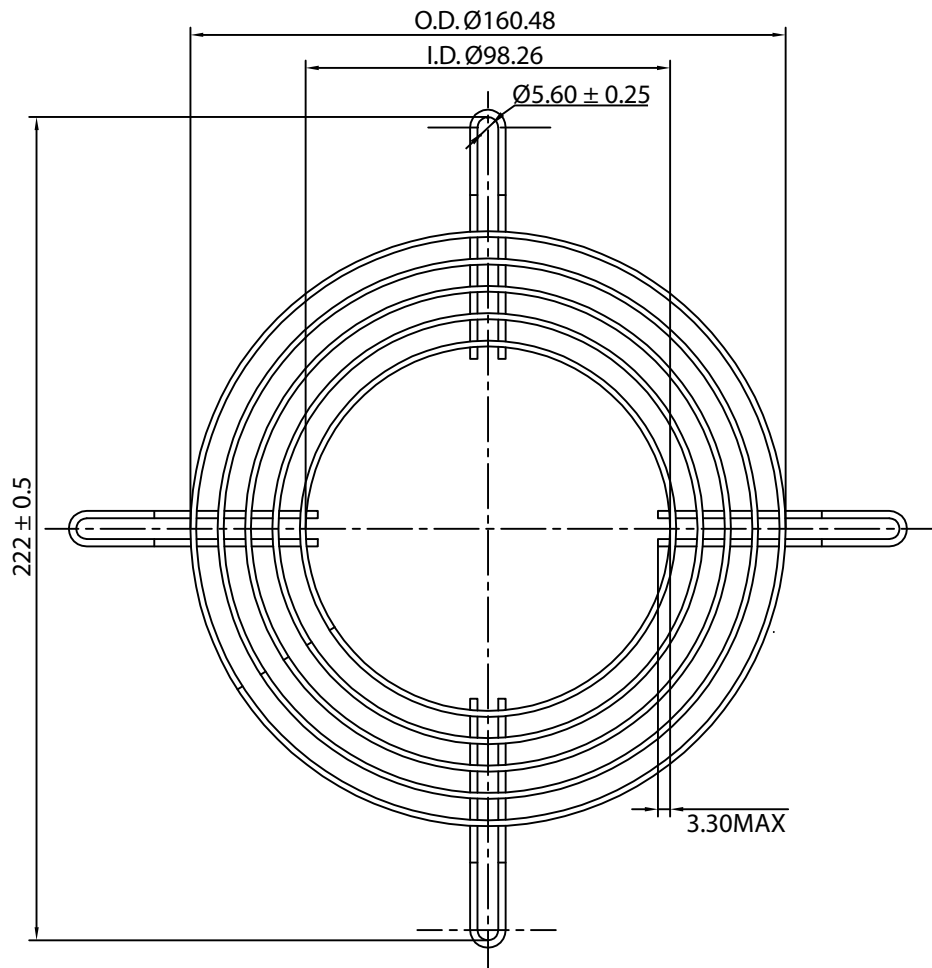


THESE DRAWINGS ARE THE PROPERTY OF QUALTEK ELECTRONICS AND NOT TO BE REPRODUCED FOR OR COMMUNICATED TO A THIRD PARTY WITHOUT THE EXPRESS WRITTEN PERMISSION OF AN OFFICER OF QUALTEK ELECTRONICS.

REVISION			
REV.	DESCRIPTION	DATE	APPROVED
B	Updated Specifications	04-21-09	LY



NOTES:

1. MATERIAL: C1008 STEEL WIRE
2. FINISH: BRIGHT ZINC PLATING
3. 0.30 ± 0.05 DEPTH OF SERRATIONS ON WIRE
4. RING: $\varnothing 1.6 \pm 0.1 \text{ mm}$
RIB: $\varnothing 2.0 \pm 0.1 \text{ mm}$
5. GENERAL TOLERANCE UNLESS NOTED IS $\pm 0.76 \text{ mm}$
6. RoHS COMPLIANT

CONTROLLED

Dim range (mm)	Tolerance +/- (mm)	Qualtek Electronics Corp. FAN-S DIVISION		
0-5	0.1	Part Number:	08359-01	RoHS Compliant
5-16	0.15	Description:	WIRE FORM FAN GUARD (160mm)	
16-64	0.2		UNIT: mm	REV. B
64-250	0.4	Drawn / Date	Checked / Date	Approved / Date
250-1000	0.5	R.Nuti 07-23-08	07-23-08	JJH / 07-23-08
1000-1500	1.0			