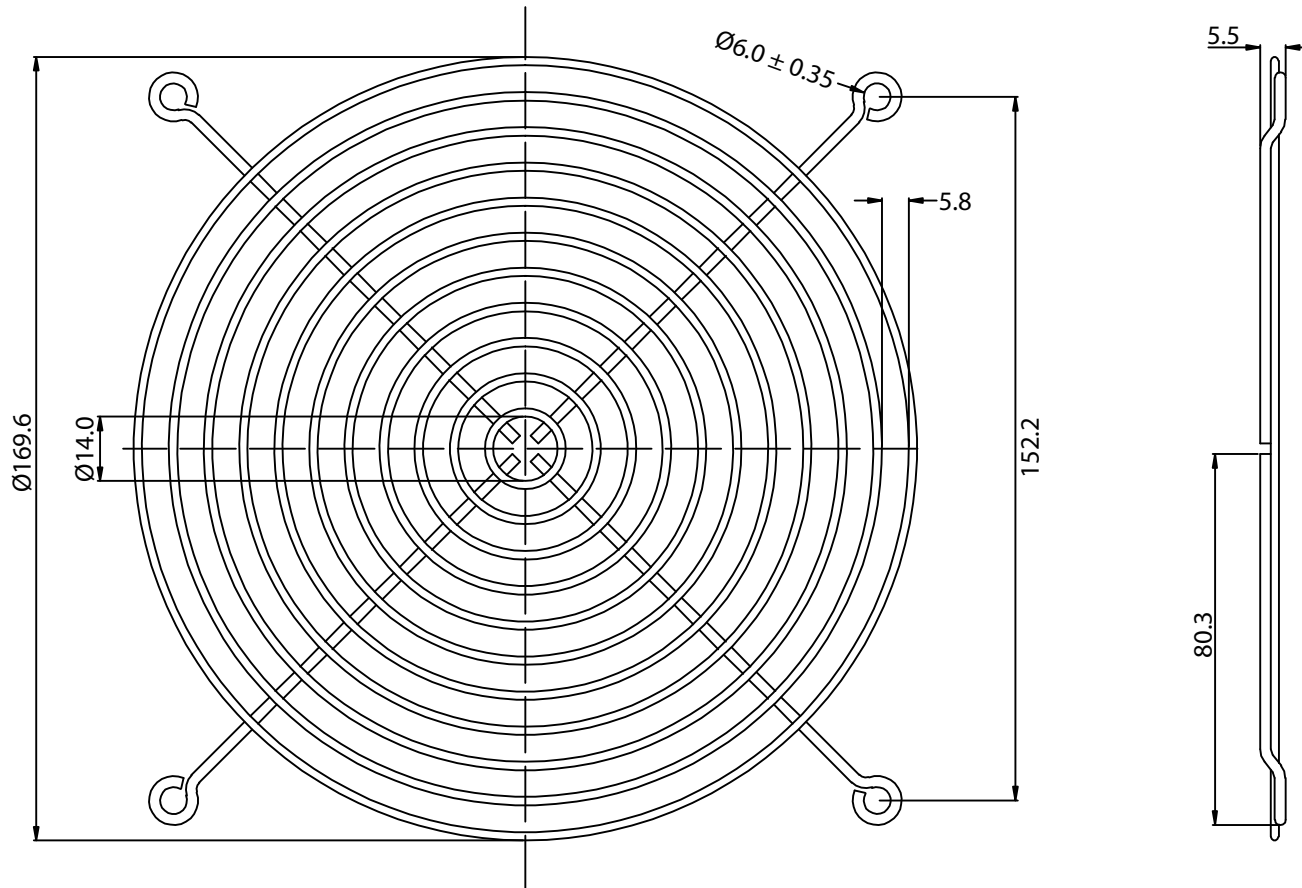


THESE DRAWINGS ARE THE PROPERTY OF QUALTEK ELECTRONICS AND NOT TO BE REPRODUCED FOR OR COMMUNICATED TO A THIRD PARTY WITHOUT THE EXPRESS WRITTEN PERMISSION OF AN OFFICER OF QUALTEK ELECTRONICS.

REVISION			
REV.	DESCRIPTION	DATE	APPROVED



**CONTROLLED**

NOTES:

1. MATERIAL: C1008 BRIGHT BASIC WIRE
2. FINISH: BLACK E.D.
3. RINGS:  $\text{Ø}1.8 \pm 0.1\text{mm}$   
RIBS:  $\text{Ø}2.3 \pm 0.1\text{mm}$
4. GENERAL TOLERANCE UNLESS NOTED  $\pm 0.5\text{mm}$
5. RoHS COMPLIANT

Dim range (mm)	Tolerance +/- (mm)	Qualtek Electronics Corp. FAN-S DIVISION		
0-5	0.3	Part Number: <b>08717-02</b>		<span style="border: 1px solid green; padding: 2px;">RoHS Compliant</span>
5-16	0.3	Description: <b>WIRE FORM FAN GUARD (180mm)</b>		
16-64	0.5	UNIT: mm		
64-250	1.0	Drawn / Date	Checked / Date	Approved / Date
250-1000	1.5	R.Nuti 09-01-15	09-01-15	LY / 09-01-15
1000-1500	1.5			