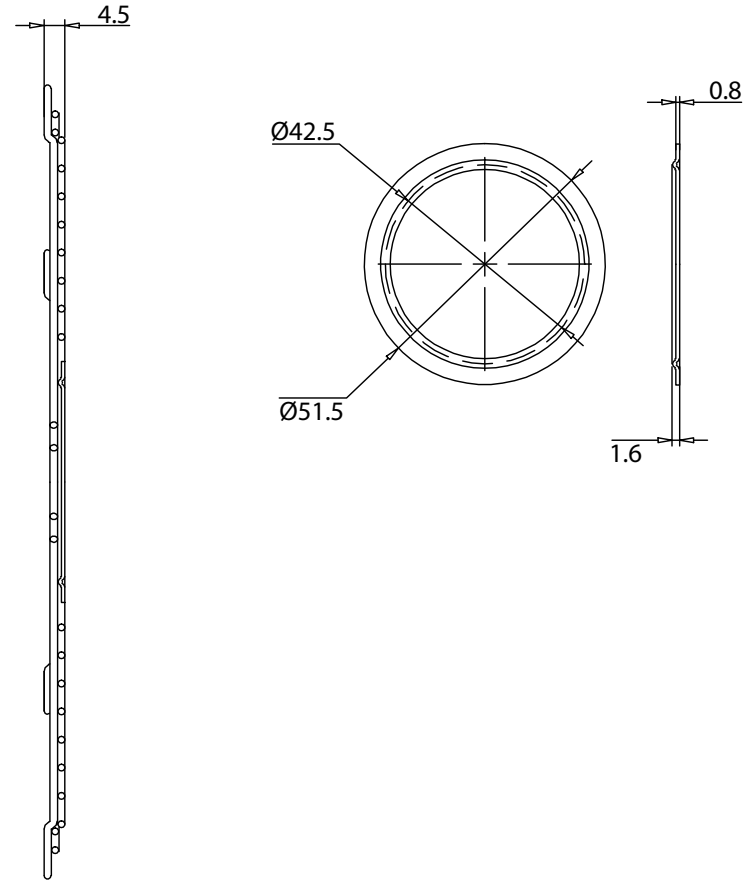
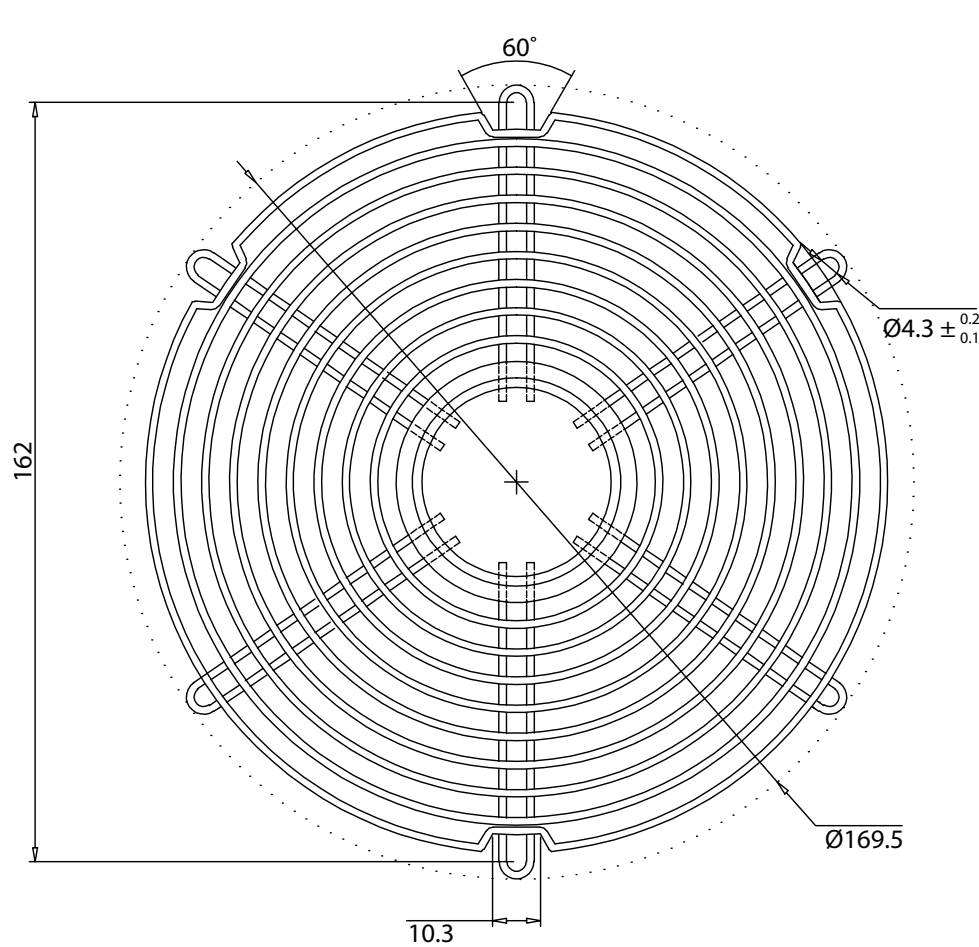


THESE DRAWINGS ARE THE PROPERTY OF QUALTEK ELECTRONICS AND NOT TO BE REPRODUCED FOR OR COMMUNICATED TO A THIRD PARTY WITHOUT THE EXPRESS WRITTEN PERMISSION OF AN OFFICER OF QUALTEK ELECTRONICS.

REVISION			
REV.	DESCRIPTION	DATE	APPROVED



**CONTROLLED**

NOTES:

1. MATERIAL: C1008 BRIGHT BASIC WIRE
2. FINISH: NICKEL CHROME PLATING
3. RINGS:  $\text{Ø}1.6 \pm 0.1\text{mm}$   
RIBS:  $\text{Ø}1.6 \pm 0.1\text{mm}$
4. GENERAL TOLERANCE UNLESS NOTED  $\pm 0.5\text{mm}$
5. RoHS COMPLIANT

Dim range (mm)	Tolerance +/- (mm)	Qualtek Electronics Corp. FAN-S DIVISION		
		Part Number:	08735	
0-5	0.3	Description: WIRE FORM FAN GUARD (172mm)		
5-16	0.3			
16-64	0.5	UNIT: mm		
64-250	1.0	Drawn / Date	Checked / Date	Approved / Date
250-1000	1.5	R.Nuti 10-29-24	10-29-24	LY / 10-29-24
1000-1500	1.5			