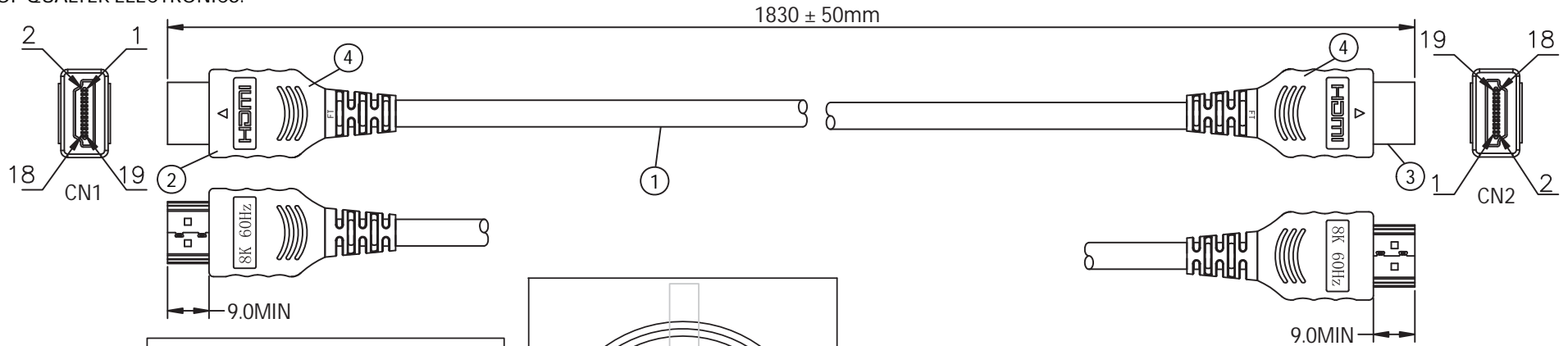
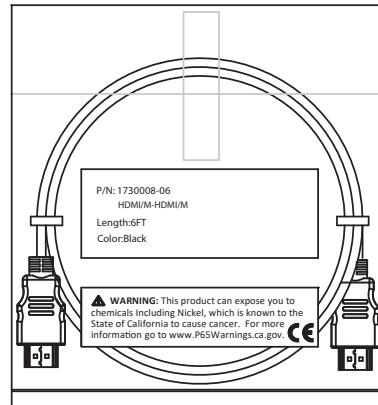


THESE DRAWINGS ARE THE PROPERTY OF QUALTEK ELECTRONICS AND NOT TO BE REPRODUCED FOR OR COMMUNICATED TO A THIRD PARTY WITHOUT THE EXPRESS WRITTEN PERMISSION OF AN OFFICER OF QUALTEK ELECTRONICS.

REVISION			
REV.	DESCRIPTION	DATE	APPROVED



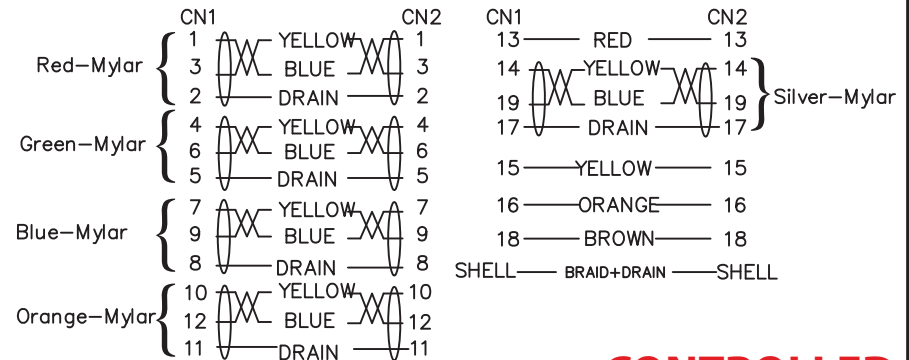
P/N: 1730008-06  
HDMI(A)/M-HDMI(A)/M  
Length:6FT  
Color:Black



NOTES:

- CABLE: UL20276  
(31AWG\*1PR+EAM)\*5+30AWG\*4C+AEB (AL) 80%  
OUTER JACKET: BLACK, OD: 5.8 ± 0.2mm
- CONNECTOR: HDMI 2.1 A 19P MALE  
INSULATOR: BLACK PBT  
PIN G/F  
NICKEL PLATED SHELL
- CONNECTOR: HDMI 2.1 A 19P MALE  
INSULATOR: BLACK PBT  
PIN G/F  
NICKEL PLATED SHELL
- PVC MOLDED: 45P BLACK
- BANDWIDTH: 48Gbps
- ELECTRICAL TEST:  
<1>.100% OPEN SHORT & MISS WIRE TEST  
<2>.INSULATION RESISTANCE: AC 300V DC300V 10M ohm MIN.  
<3>.CONDUCTOR RESISTANCE: 3 ohm MAX.
- 1PC/POLYBAG

PIN OUT



**CONTROLLED**

Dim range (mm)	Tolerance +/- (mm)	Qualtek Electronics Corp. WCI DIVISION		
		Part Number: 1730008-06	RoHS Compliant	
0-1	0.15	Description: HDMI 2.1/M - HDMI 2.1/M		
1-6	0.20	UNIT: mm		
6-18	0.30	Drawn / Date	Checked / Date	Approved / Date
18-50	0.50	R. Nuti 11-15-21	11-15-21	LY / 11-15-21
50-120	0.70			
120-250	0.90			
250-500	1.20			