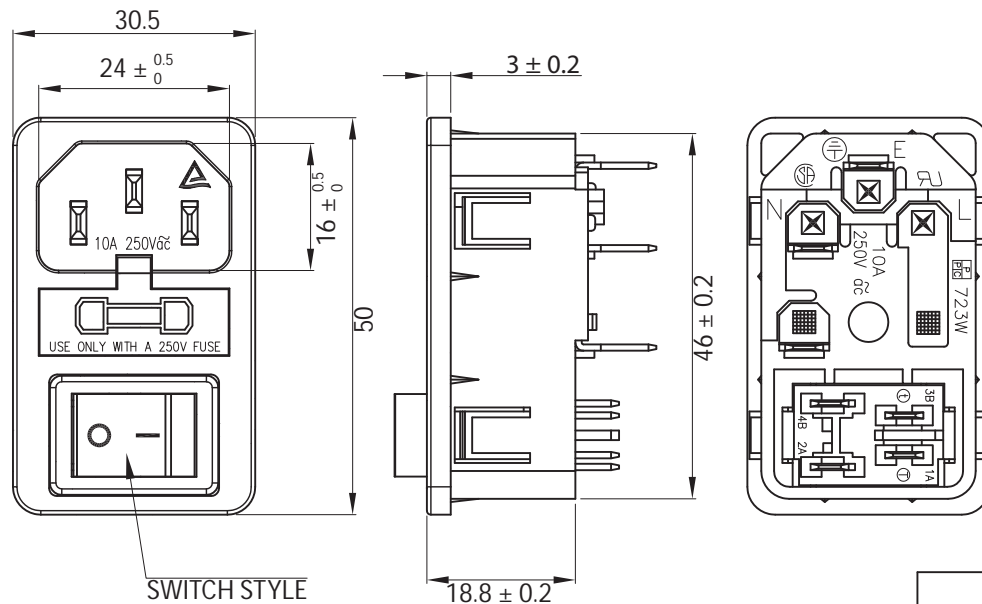
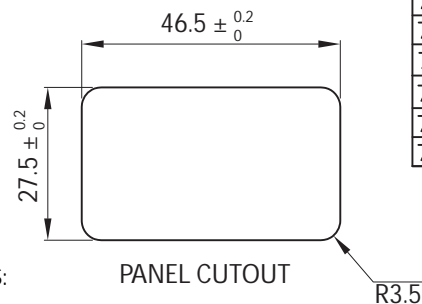
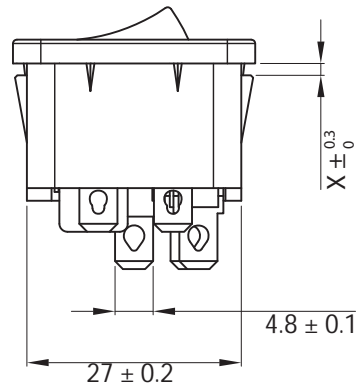


THESE DRAWINGS ARE THE PROPERTY OF QUALTEK ELECTRONICS AND NOT TO BE REPRODUCED FOR OR COMMUNICATED TO A THIRD PARTY WITHOUT THE EXPRESS WRITTEN PERMISSION OF AN OFFICER OF QUALTEK ELECTRONICS.

REVISION			
REV.	DESCRIPTION	DATE	APPROVED



SWITCH STYLE



NOTES:

PANEL CUTOUT

R3.5

SOCKET:

RATING:

UL, CSA, TUV, CCC: 10A 250V AC

SWITCH:

RATING:

UL, cUL: 10GP/250V AC 50/60Hz T85

TV-5/125V AC 50/60Hz T85

TUV, CQC, KTL: 8A/80A 250V AC 1E4 T85

10(4)A 250V AC 1E4 T85

PANEL THICKNESS: 1.0mm, 1.2mm, 1.5mm, 2.0mm

RECOMMENDED FUSE SIZE: 5x20mm

FUSES NOT INCLUDED

RoHS COMPLIANT

Part No.	Switch Style	Body Color(PC)	Switch Color(PC)	Lamp Type	Rating	X
723W-BEL3BB81A		White	Black	Black	without-Lamp	10A 1.5
723W-BEL3BB81B		White	Black	Black	without-Lamp	10A 2.0
723W-BEL3BB81D		White	Black	Black	without-Lamp	10A 1.0
723W-BEL3BB81L		White	Black	Black	without-Lamp	10A 1.2
723W-BEL3BR51A		White	Black	Red	Red AC110V/220V	10A 1.5
723W-BEL3BR51B		White	Black	Red	Red AC110V/220V	10A 2.0
723W-BEL3BR51D		White	Black	Red	Red AC110V/220V	10A 1.0

**CONTROLLED**

Dim range (mm)	Tolerance +/- (mm)	Qualtek Electronics Corp. PPC DIVISION		
		Part Number:	723W-BEL	RoHS Compliant
0-1	0.30	Description: AC RECEPTACLE		
1-6	0.35	UNIT: mm		
6-18	0.40	UNIT: mm		
18-50	0.50	UNIT: mm		
50-120	0.70	Drawn / Date	Checked / Date	Approved / Date
120-250	0.90	R. Nuti 02-28-24	02-28-24	LY / 02-28-24
250-500	1.20			