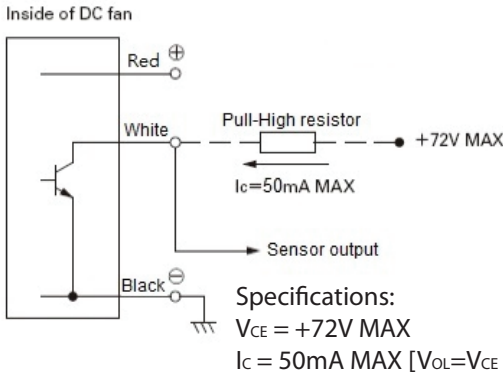


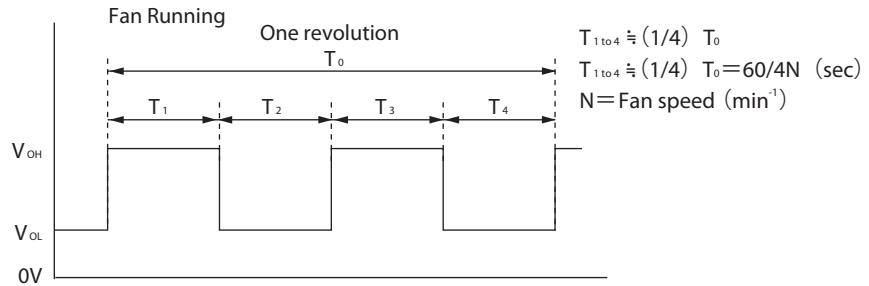
DC Fan Special Functions

FG: TACHOMETER OUTPUT TYPE

Output Circuit: Open Collector

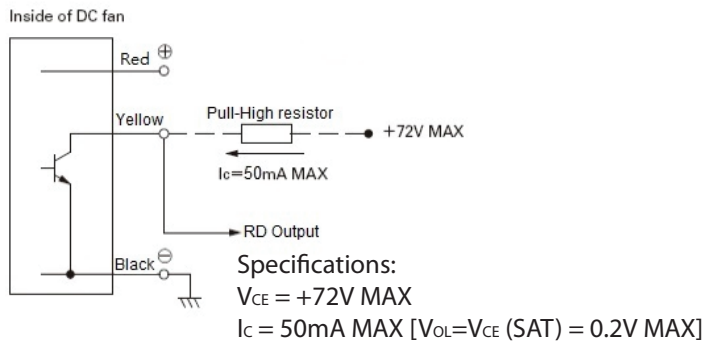


Output Waveform: (Need pull-up resistor)

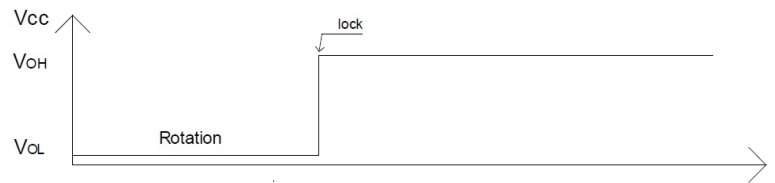


RD: LOCKED ROTOR ALARM SIGNAL

Output Circuit: Open Collector

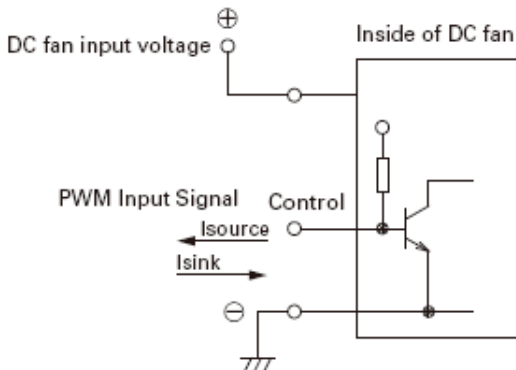


Output Waveform: (Need pull-up resistor)



PWM SPEED CONTROL

Output Circuit:



Method: PWM insensitive to signal amplitude
 Signal Voltage Range:
 High signal (V_{IH}): 2.8 ~ 48 VDC
 Low signal (V_{IL}): -0.8 ~ 0.8 VDC
 Frequency ($1/T$): 200 ~ 100KHz
 Duty cycle mapping speed (T_1/T):
 <5%: 0 rpm
 5%~100%: Linear ramp
 100% or Open: Full speed

Output Waveform:

