



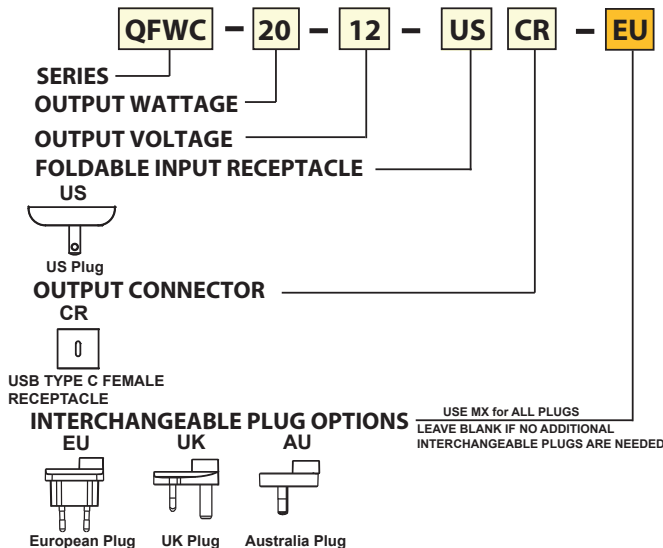
Features:

- Universal AC input/ Full Range
- Energy Efficiency Level VI
- USB Power Delivery (PD)
- Folding Power Plug
- USB Type C Output Connector
- Output Protections: SCP/OCP/OVP
- Quick Charge 3.0 & 2.0 Compatible
- No Load Power Consumption <0.1W
- 1 Year Warranty

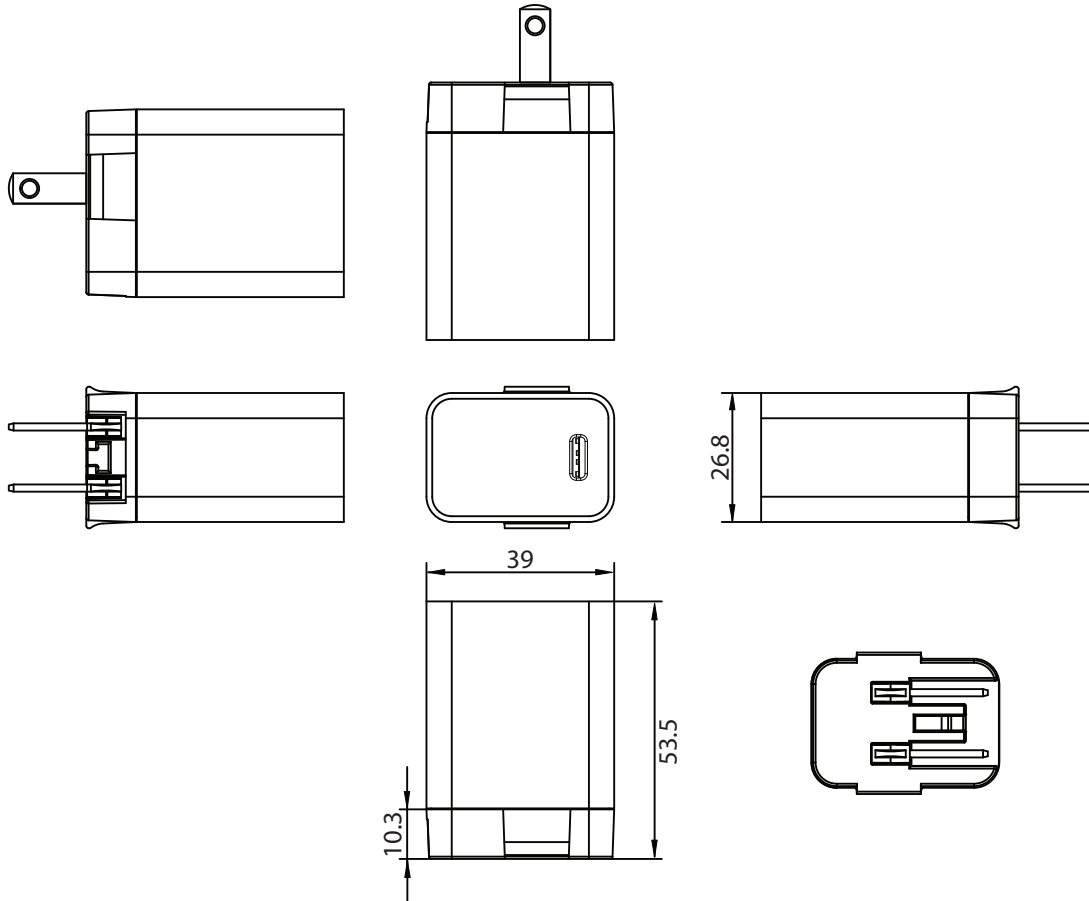


Model	QFWC-20-12-USCR
Output Characteristics	
DC Output	5V / 9V / 12V
Rated Current	3A@5V / 2.22A@9V / 1.67A@12V
Ripple and Noise	200mV Max (5V), 300mV Max (9V, 12V)
Load Regulation (Typ.)	±5%
Hold-up Time (Typ.)	10mS @ Rated Load (115V), 20mS @ Rated Load (230V)
Output Protection	Short Circuit, Over Voltage, Over Current
Ferrite Core	No
Input Characteristics	
Voltage Range	90VAC~264VAC
Frequency Range	47Hz-63Hz
Efficiency	DoE Level VI
AC Current (max)	0.5A
Input Protection	Internal Primary Current Fuse
Leakage Current	0.25mA @264VAC/50Hz
Environmental Characteristics	
Operating Temperature	0°C~40°C
Operating Relative Humidity	10% RH to 90% RH
Storage Temperature	-20°C~80°C, 5% RH to 95% RH
Dielectric Withstand	3000VAC/10mA Primary-Secondary
EMI Conduction & Radiation	Compliance to EN55032 Class B, FCC Part 15
Harmonic Current	Compliance to EN61000-3-2, 3
EMS Immunity	Compliance to IEC61000-4-2, 3, 4, 5, 6, 8, 11
Characteristics	
MTBF	More than 50,000Hrs (25°C, Telecordia SR-332)
Dimension (LxWxH)	26.8x39x53.5mm

PART NUMBER SYSTEM



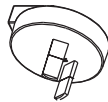
MECHANICAL SPECIFICATIONS



INTERCHANGEABLE PLUGS

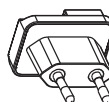
(when sold separately)

Australia Plug



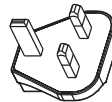
Part Number:
QFWC-AU

European Plug



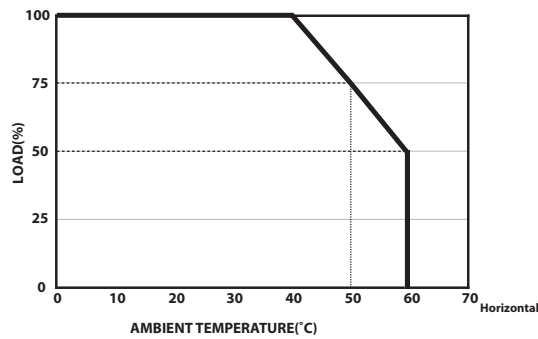
Part Number:
QFWC-EU

UK Plug



Part Number:
QFWC-UK

DERATING CURVE



UNIT: mm