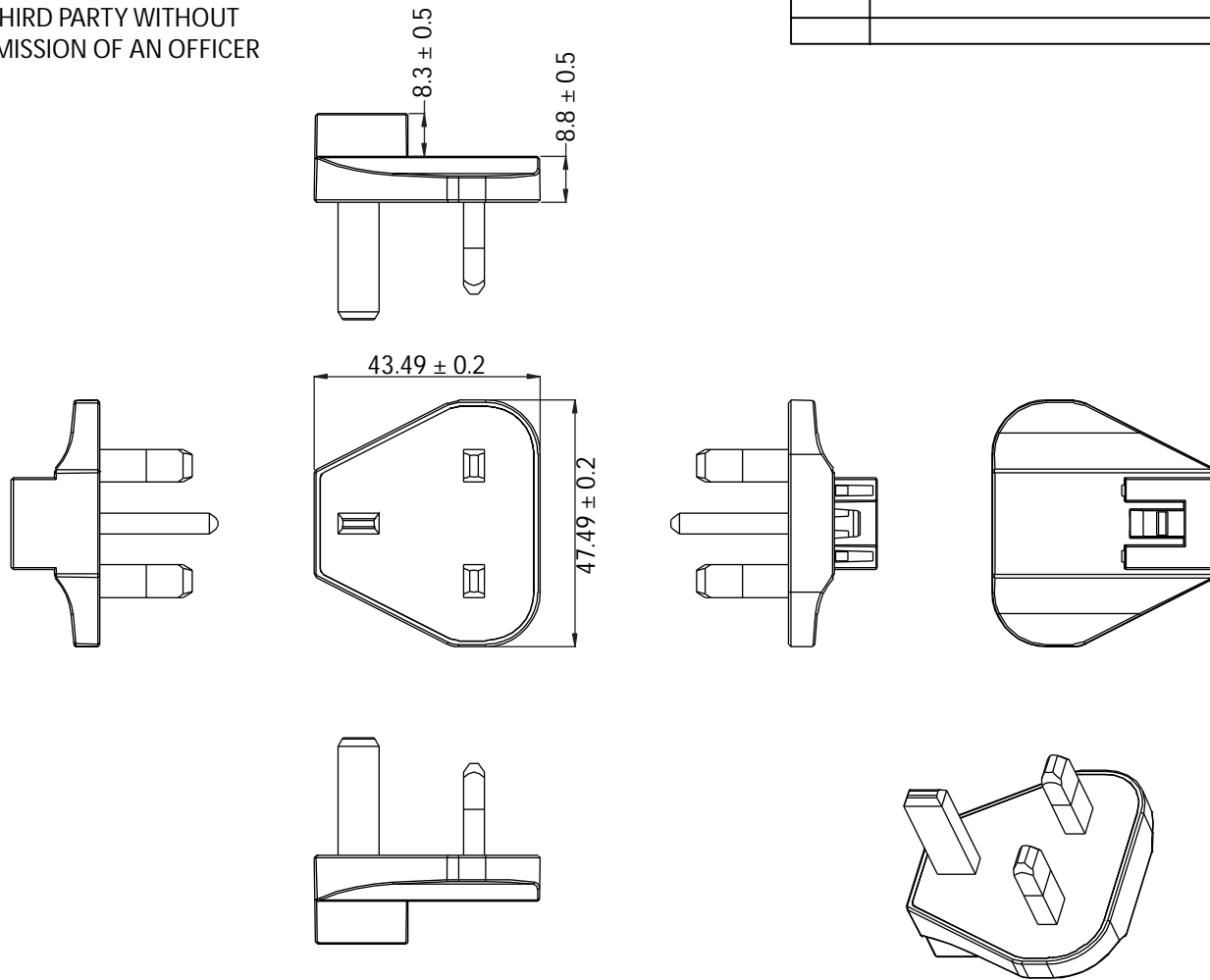


THESE DRAWINGS ARE THE PROPERTY OF QUALTEK ELECTRONICS AND NOT TO BE REPRODUCED FOR OR COMMUNICATED TO A THIRD PARTY WITHOUT THE EXPRESS WRITTEN PERMISSION OF AN OFFICER OF QUALTEK ELECTRONICS.

REVISION			
REV.	DESCRIPTION	DATE	APPROVED



NOTES:

1. FOR USE WITH QFWC-18, QFWC-20, QFWC-30, QFWC-45, QFWC-60 SERIES POWER SUPPLIES
2. UK INTERCHANGEABLE PLUG
3. BLACK COLOR

**CONTROLLED**

Dim range (mm)	Tolerance +/- (mm)	Qualtek Electronics Corp. PPC DIVISION		
		Part Number:	QFWC-UK	RoHS Compliant
0-1	0.15	Description: UK INTERCHANGEABLE PLUG		
1-6	0.20			
6-18	0.30	UNIT: mm		
18-50	0.50	Drawn / Date	Checked / Date	Approved / Date
50-120	0.70	R. Nuti 11-12-19	11-12-19	LY / 11-12-19
120-250	0.90			
250-500	1.20			